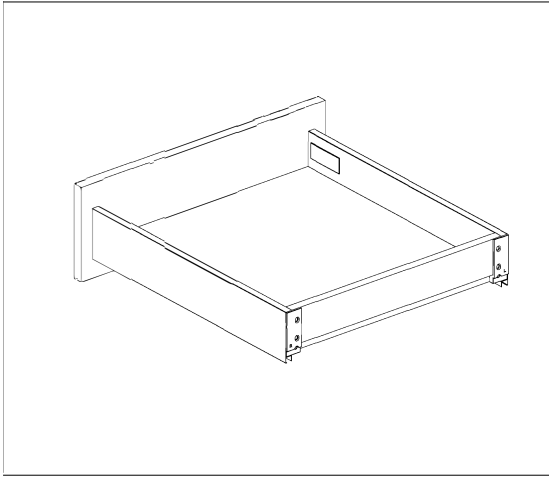


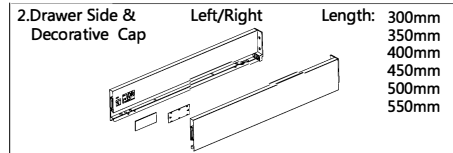
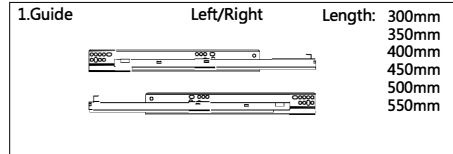
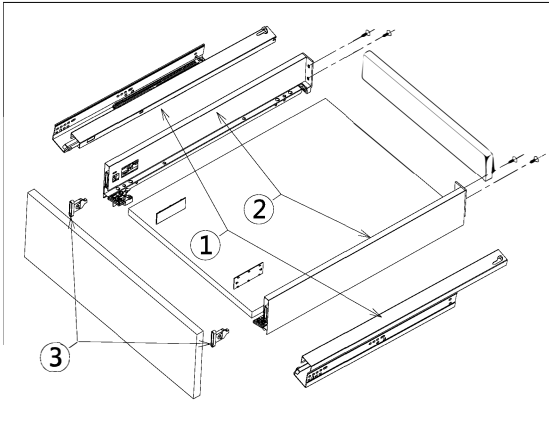
Apex Slim H90mm



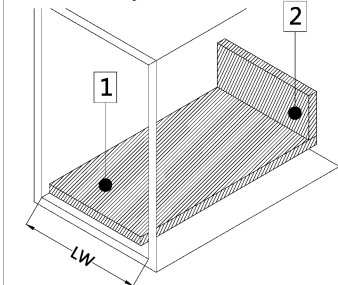
Special Features:

- Length: 300, 350, 400, 450, 500, 550mm.
- The drawer side-board is 90mm high.
- Drawer width can be designed freely with automatic error adjustment.
- Hidden full pullout silencing sliding skid can bear 40kg and enjoys excellent stability and quite and smooth sliding performance.
- Quick installation and dismantle.
- Newly-designed built-in damper is free from reinstallation and ensures soft and smooth drawer movements.

Basic length	Internally usable drawer depth	Minimum installation depth of drawer	Minimum installation height
300mm	272mm	305mm	114mm
350mm	322mm	355mm	114mm
400mm	372mm	405mm	114mm
450mm	422mm	455mm	114mm
500mm	472mm	505mm	114mm
550mm	522mm	555mm	114mm

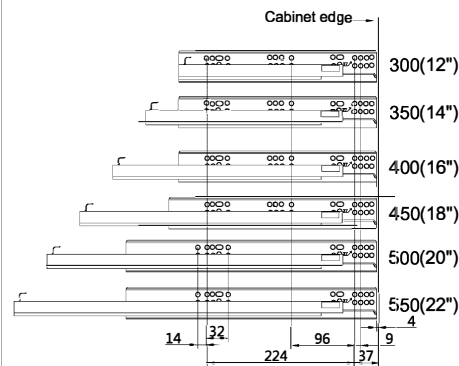


Technology pivot: Bottom and Back Panel Measurement 16mm Density Panel



- LW: Inside Cabinet Width
- Bottom panel width = Inside Cabinet Width - 19 ± 0.5
Bottom panel length = Runner length - 20mm
 - Back panel height = 63MM
Back panel width = Inside Cabinet Width - 42 ± 0.5

Runner Installation (mm)



Basic length: 300/350/400/450/500/550mm

Modul Box Assembly Instruction

