



VISION

Slim drawer





VISION

Slim drawer





VISION

Simbox 301XT series



- Quick mounting and dismantle with special front clips
- 3 different panel heights: 90, 128, 175mm
- Length: 270, 300, 350, 400, 450, 500, 550mm

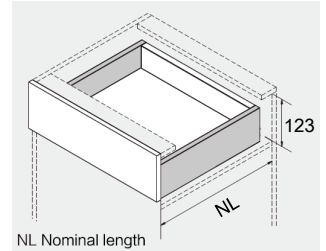


- Long soft closing distance 50mm, even on L270mm drawer
- Avoid malfunction by wood dust with completely “seal” design on the damping system

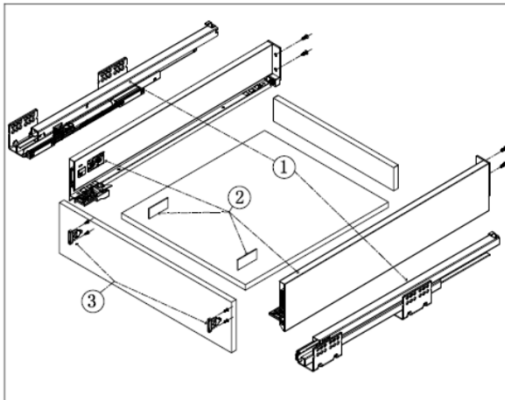


- ❑ Full extension synchronized slides;
- ❑ Thin drawer side 13mm, exterior height 90mm
- ❑ Color: White, charcoal grey
- ❑ Quick and east installation
- ❑ Soft & silent movements during drawer opening and closing
- ❑ Two-dimensional adjustment at drawer front
- ❑ Loading capacity 35kg

Space requirements

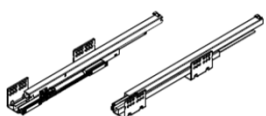
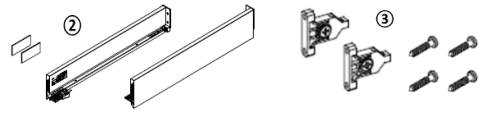
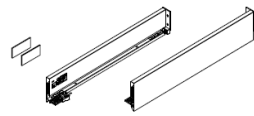


Order information



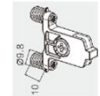


Nominal length (mm)	Drawer kit package (①②③)	
	Charcoal grey	Matt white
270	301XT9027010	301XT9027020
300	301XT9030010	301XT9030020
350	301XT9035010	301XT9035020
400	301XT9040010	301XT9040020
450	301XT9045010	301XT9045020
500	301XT9050010	301XT9050020
550	301XT9055010	301XT9055020

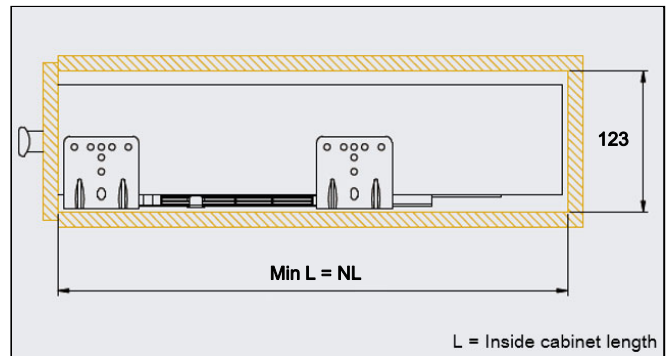
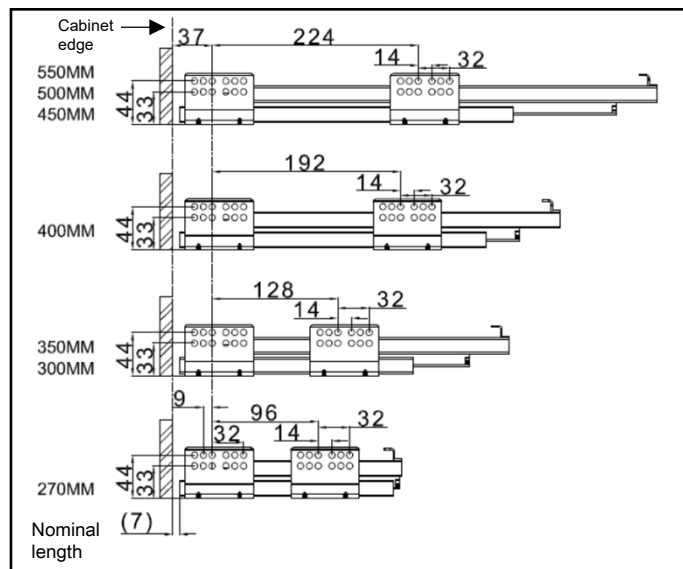
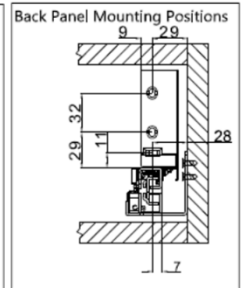
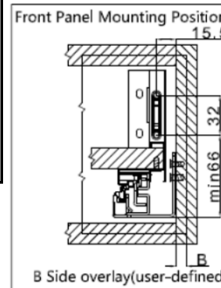
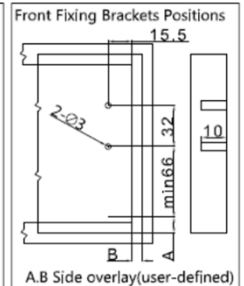
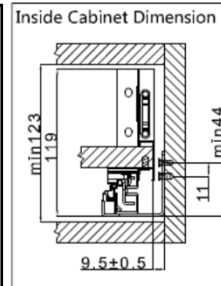
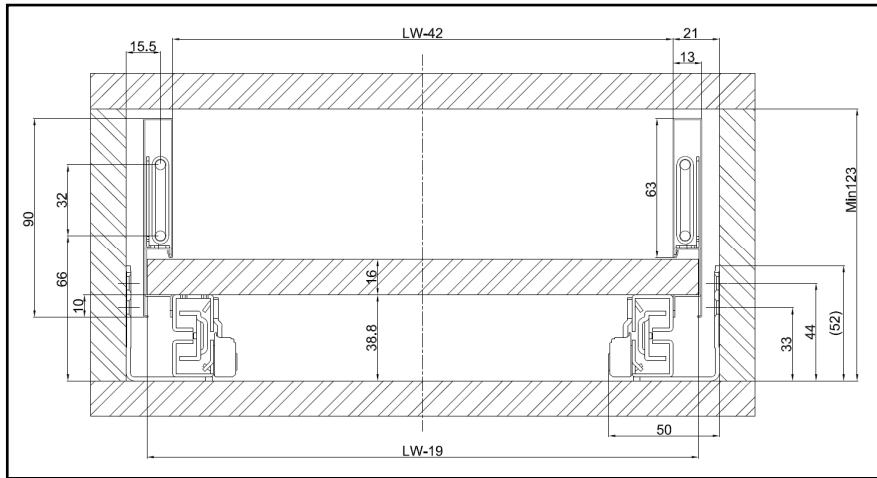
Industrial pack / Distribution pack

① Cabinet members left & right		② Drawer sides left & right with cover caps (customer branding / blank) ③ Screw-on front fixing brackets left & right				
						
Nominal length (mm)	Cabinet set ①	Nominal length (mm)	Drawer side set - ② & ③		Drawer wall only ②	
			Matt white	Charcoal grey	Matt white	Charcoal grey
270	301S270	270	301XD9027020	301XD9027010	301XW9027020	301XW9027010
300	301S300	300	301XD9030020	301XD9030010	301XW9030020	301XW9030010
350	301S350	350	301XD9035020	301XD9035010	301XW9035020	301XW9035010
400	301S400	400	301XD9040020	301XD9040010	301XW9040020	301XW9040010
450	301S450	450	301XD9045020	301XD9045010	301XW9045020	301XW9045010
500	301S500	500	301XD9050020	301XD9050010	301XW9050020	301XW9050010
550	301S550	550	301XD9055020	301XD9055010	301XW9055020	301XW9055010

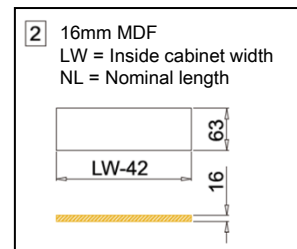
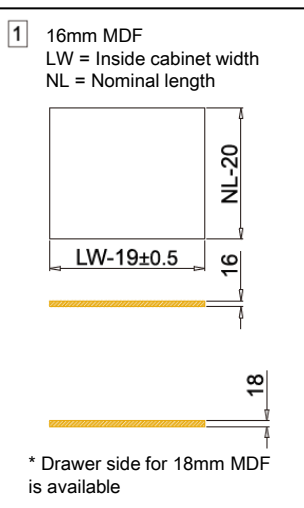
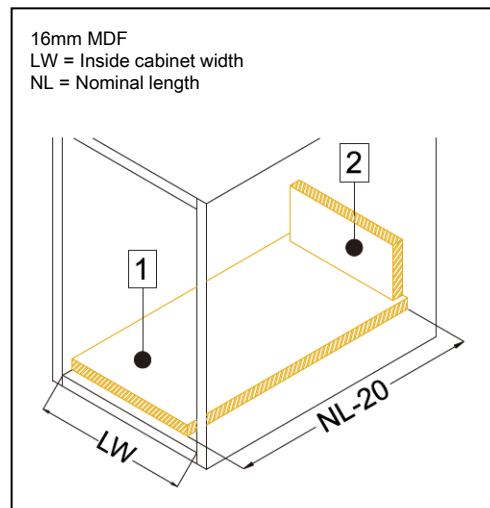
* Add "D" or "P" at the end of the item no. for front fixing brackets with dowels or expandable dowels respectively.

③ Front fixing brackets left & right		
Screw on	With plastic dowels	With expandable dowels
		
ZFB001	ZFB001D	ZFB001E

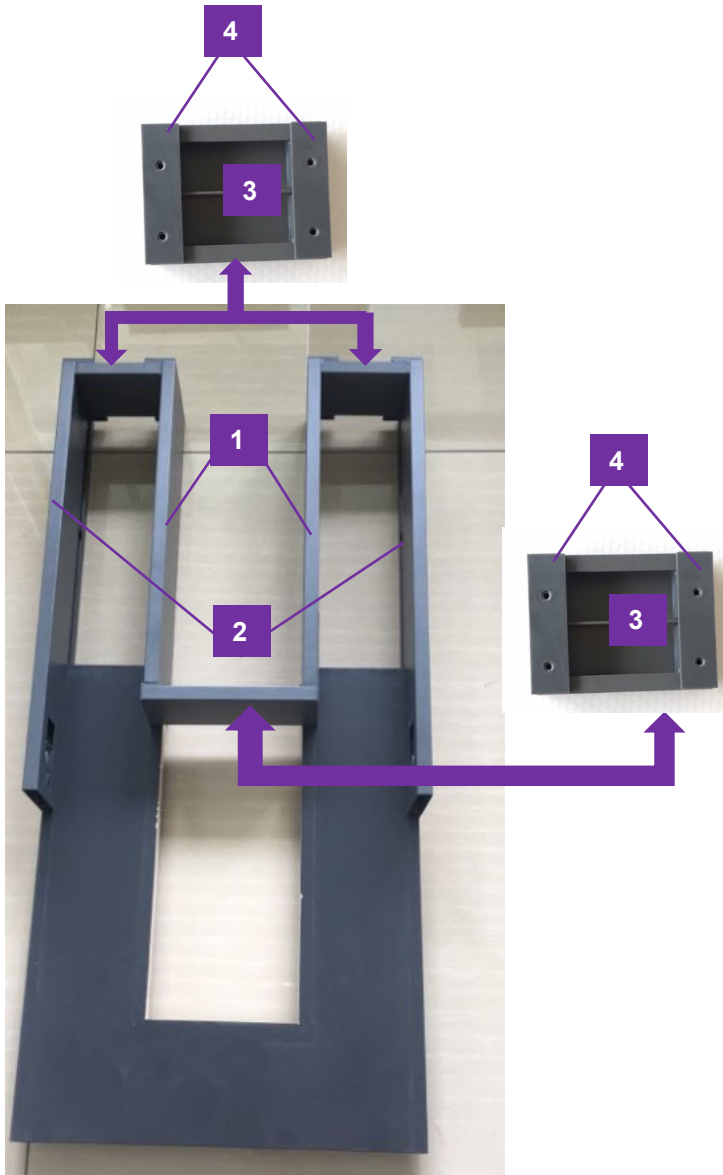
Installation dimensions (mm)



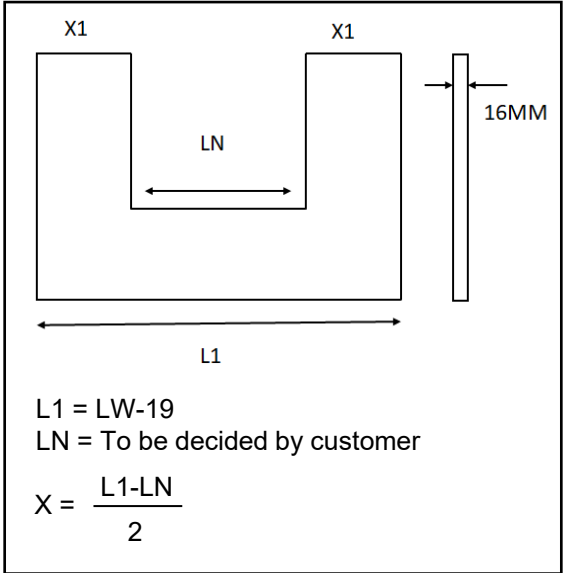
Drawer back and bottom dimensions (mm)



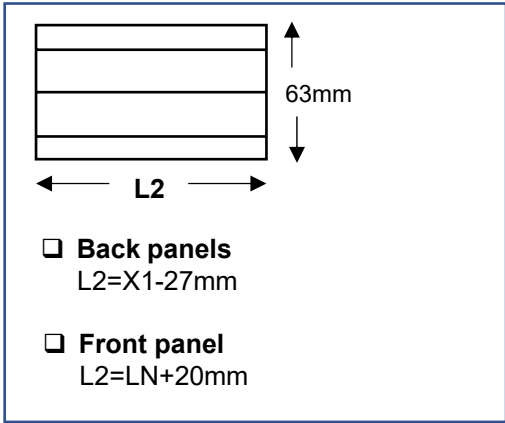
Simbox undersink drawer



Drawer bottom dimensions



Aluminum panel dimensions



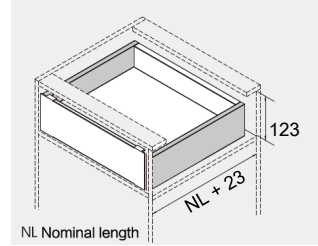
Order information

			Charcoal grey	White
1 x 1	"Undersink" Apex drawer wall H90mm w/ screw-on Zamak front bracket (Left & right)	350mm	XUD9035010	XUD9035020
		400mm	XUD9040010	XUD9040020
		450mm	XUD9045010	XUD9045020
2 x 1	"Outer" Apex drawer wall H90mm w/ Zamak front bracket bracket (Left & right)		301XT90 drawer sides	
3 x 3	Aluminum front/back panel L=1200mm (can be cut by customer)		X90AP120010	X90AP120020
4 x 1	Left & right connectors for aluminum panel (3)		X90APC10	X90APC20

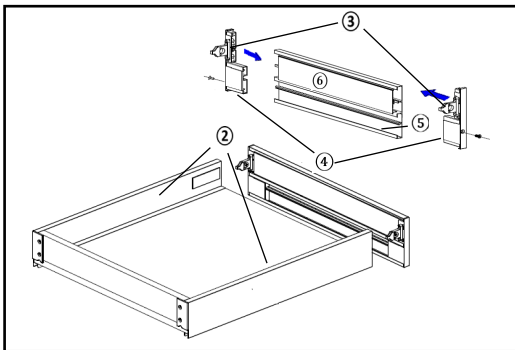


- ❑ Full extension synchronized slides;
- ❑ New design front brackets with clean and elegant look
- ❑ Thin drawer side 13mm, exterior height 90mm
- ❑ Color: White, charcoal grey
- ❑ Quick and east installation
- ❑ Soft & silent movements
- ❑ Two-dimensional adjustment at drawer front
- ❑ Loading capacity 35kg

Space requirements

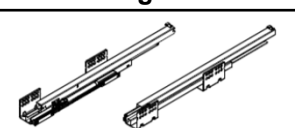
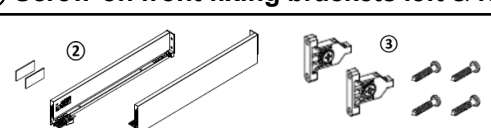
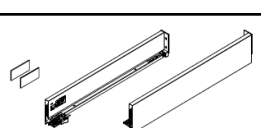
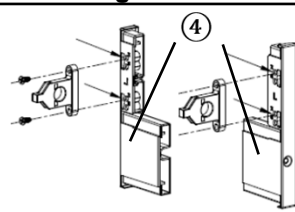
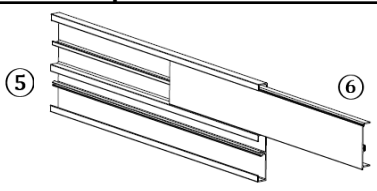
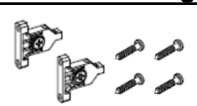


Order information



Nominal length (mm)	Drawer kit package (①②③)	
	Charcoal grey	Matt white
270	301XT9027010	301XT9027020
300	301XT9030010	301XT9030020
350	301XT9035010	301XT9035020
400	301XT9040010	301XT9040020
450	301XT9045010	301XT9045020
500	301XT9050010	301XT9050020
550	301XT9055010	301XT9055020

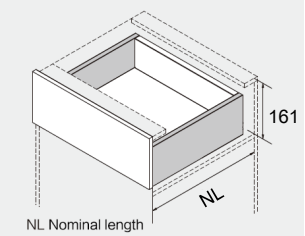
Industrial pack / Distribution pack

① Cabinet members left & right		② Drawer sides left & right with cover caps (customer branding / blank)				③ Screw-on front fixing brackets left & right	
							
Nominal length (mm)	Cabinet set ①	Nominal length (mm)	Drawer side set - ② & ③		Drawer wall only ②		
			Matt white	Charcoal grey	Matt white	Charcoal grey	
270	301S270	270	301XD9027020	301XD9027010	301XW9027020	301XW9027010	
300	301S300	300	301XD9030020	301XD9030010	301XW9030020	301XW9030010	
350	301S350	350	301XD9035020	301XD9035010	301XW9035020	301XW9035010	
400	301S400	400	301XD9040020	301XD9040010	301XW9040020	301XW9040010	
450	301S450	450	301XD9045020	301XD9045010	301XW9045020	301XW9045010	
500	301S500	500	301XD9050020	301XD9050010	301XW9050020	301XW9050010	
550	301S550	550	301XD9055020	301XD9055010	301XW9055020	301XW9055010	
④ Front panel bracket left & right		⑤ Aluminum front panel & ⑥ Aluminum panel cover		③ Screw on front fixing brackets left & right			
							
White	FPB00120		⑤	⑥	ZFB001		
Dark grey	FPB00110	Matt white	FP120020	PC120020			
		Charcoal	FP120010	PC120010			

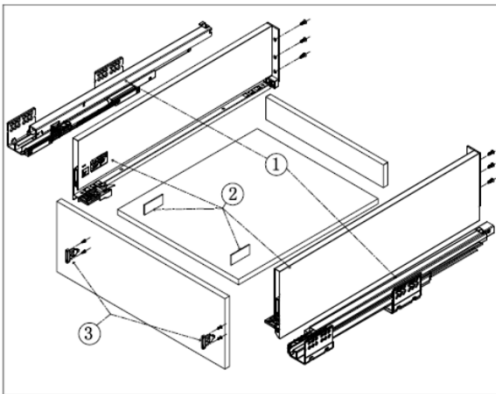


- ❑ Full extension synchronized slides;
- ❑ Thin drawer side 13mm, exterior height 128mm
- ❑ Color: White, charcoal grey
- ❑ Quick and east installation
- ❑ Soft & silent movements during drawer opening and closing
- ❑ Two-dimensional adjustment at drawer front
- ❑ Loading capacity 35kg

Space requirements


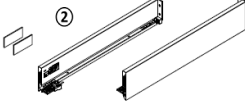
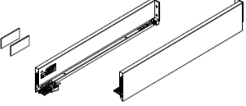


Order information


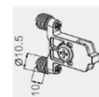
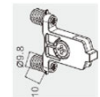


Nominal length (mm)	Drawer kit package (①②③)	
	Charcoal grey	Matt white
270	301XT12827010	301XT12827020
300	301XT12830010	301XT12830020
350	301XT12835010	301XT12835020
400	301XT12840010	301XT12840020
450	301XT12845010	301XT12845020
500	301XT12850010	301XT12850020
550	301XT12855010	301XT12855020

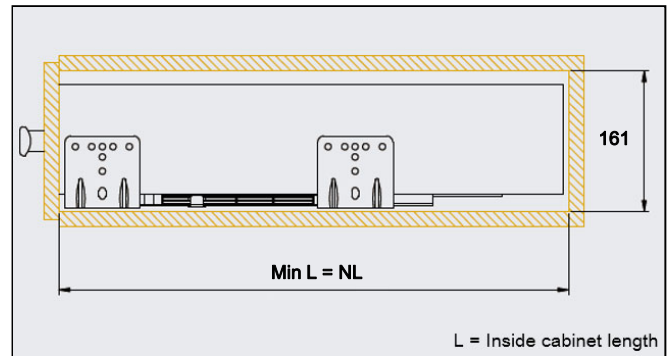
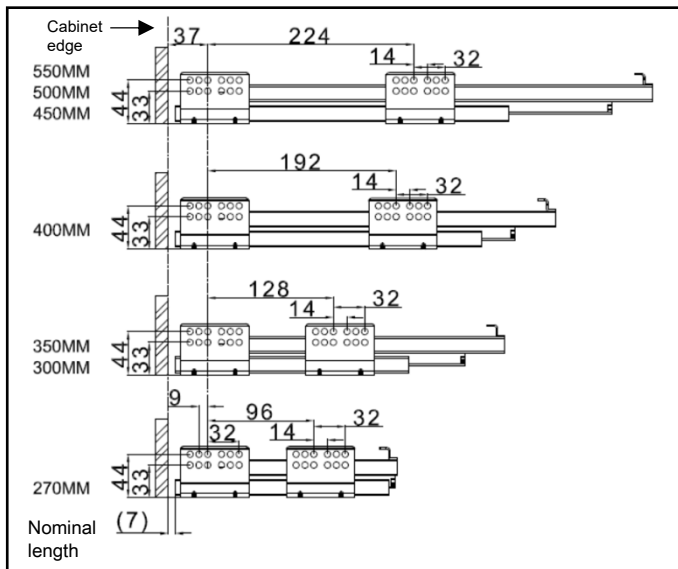
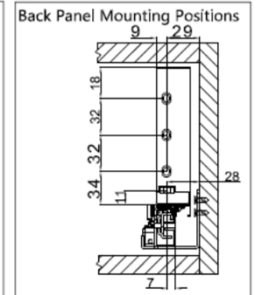
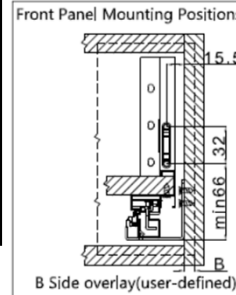
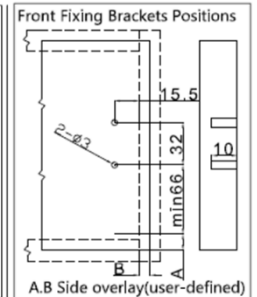
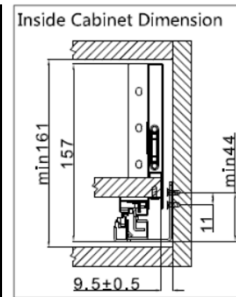
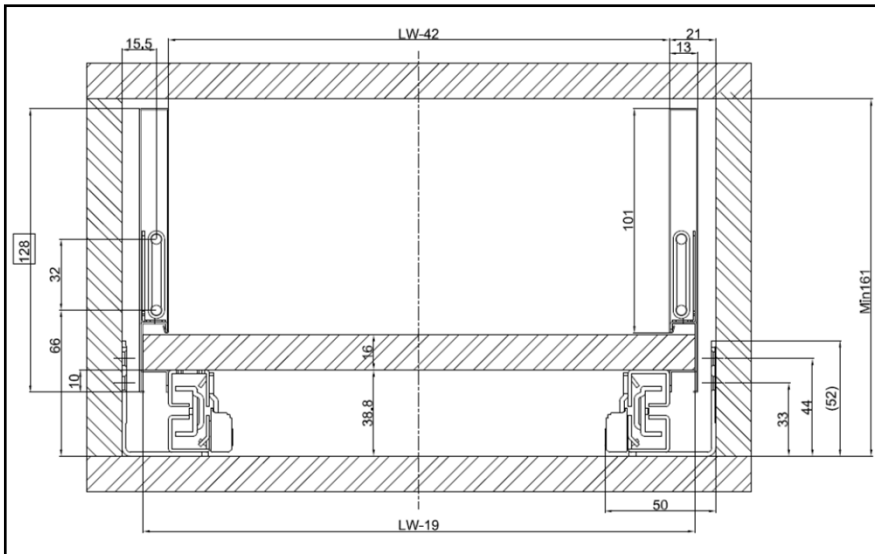
Industrial pack / Distribution pack

① Cabinet members left & right		② Drawer sides left & right with cover caps (customer branding / blank)				
						
Nominal length (mm)	Cabinet set ①	Nominal length (mm)	Drawer side set - ② & ③		Drawer wall only ②	
			Matt white	Charcoal grey	Matt white	Charcoal grey
270	301S270	270	301XD12827020	301XD12827010	301XW12827020	301XW12827010
300	301S300	300	301XD12830020	301XD12830010	301XW12830020	301XW12830010
350	301S350	350	301XD12835020	301XD12835010	301XW12835020	301XW12835010
400	301S400	400	301XD12840020	301XD12840010	301XW12840020	301XW12840010
450	301S450	450	301XD12845020	301XD12845010	301XW12845020	301XW12845010
500	301S500	500	301XD12850020	301XD12850010	301XW12850020	301XW12850010
550	301S550	550	301XD12855020	301XD12855010	301XW12855020	301XW12855010

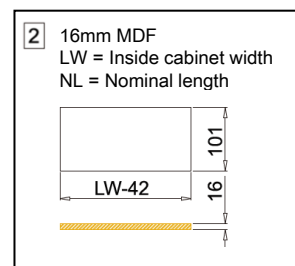
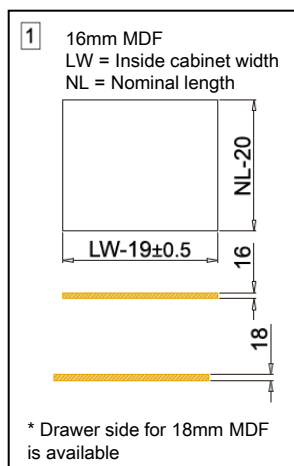
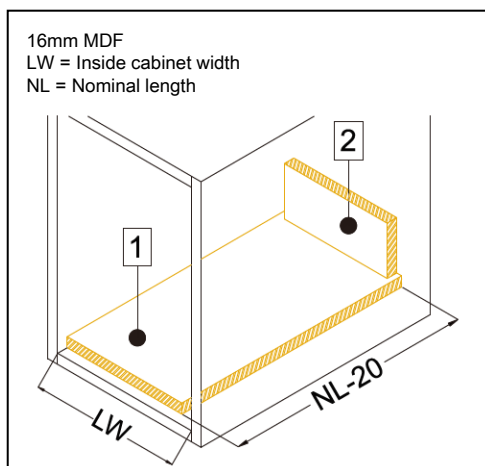
* Add "D" or "P" at the end of the item no. for front fixing brackets with dowels or expandable dowels respectively.

③ Front fixing brackets left & right		
Screw on	With plastic dowels	With expandable dowels
		
ZFB001	ZFB001D	ZFB001E

Installation dimensions (mm)



Drawer back and bottom dimensions (mm)

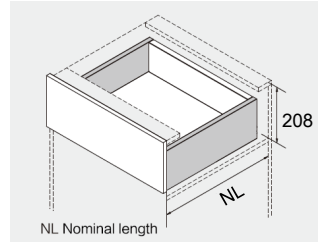


* Drawer side for 18mm MDF is available

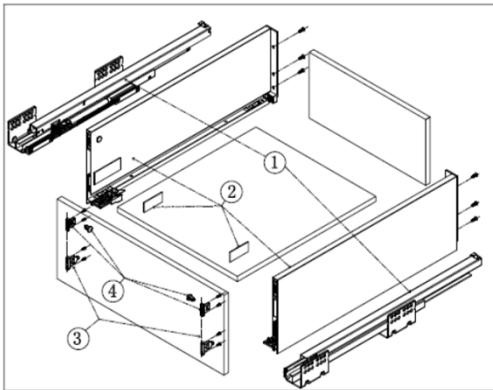


- ❑ Full extension synchronized slides;
- ❑ Thin drawer side 13mm, exterior height 175mm
- ❑ Color: White, charcoal grey
- ❑ Quick and east installation
- ❑ Soft & silent movements during drawer opening and closing
- ❑ Two-dimensional adjustment at drawer front
- ❑ Loading capacity 35kg

Space requirements

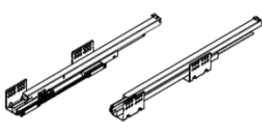
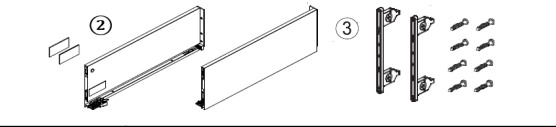
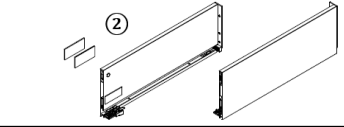


Order information

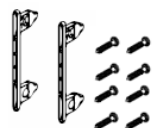


Nominal length (mm)	Drawer kit package (①②③④)	
	Charcoal grey	Matt white
270	301XT17527010	301XT17527020
300	301XT17530010	301XT17530020
350	301XT17535010	301XT17535020
400	301XT17540010	301XT17540020
450	301XT17545010	301XT17545020
500	301XT17550010	301XT17550020
550	301XT17555010	301XT17555020

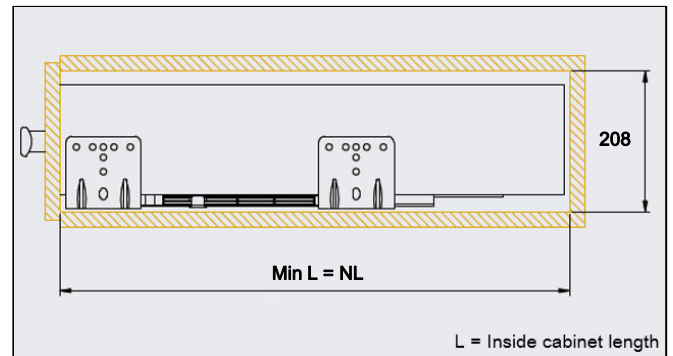
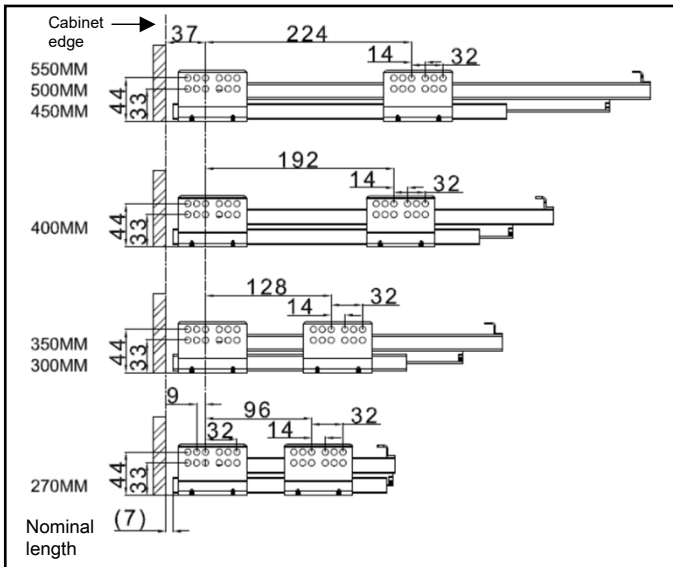
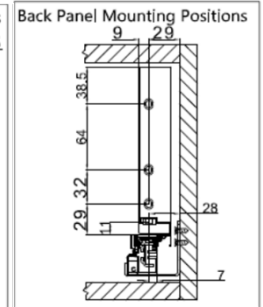
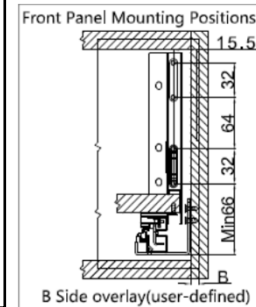
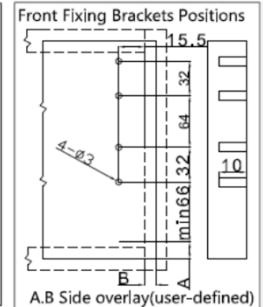
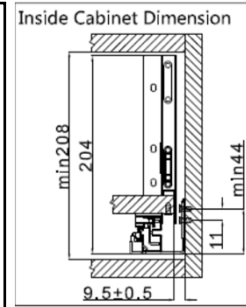
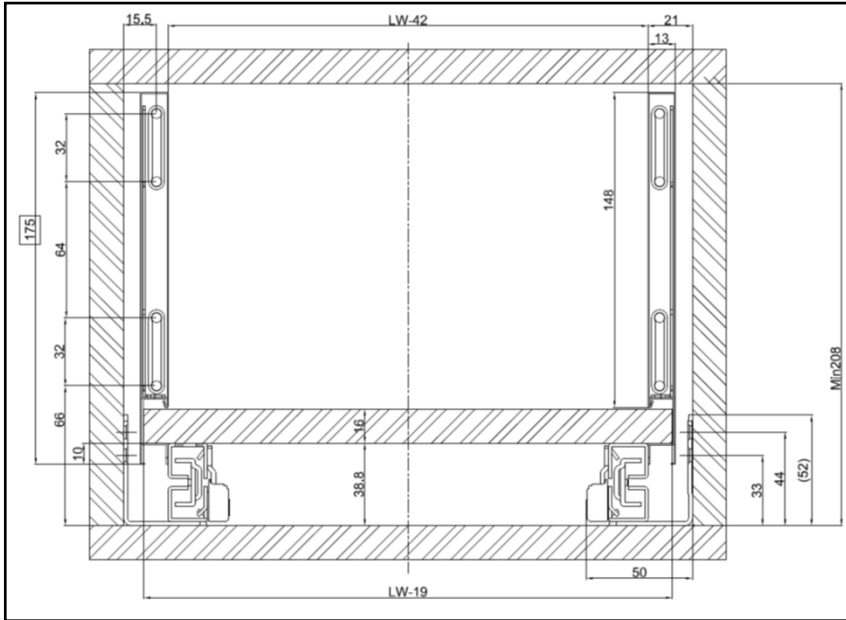
Industrial pack / Distribution pack

① Cabinet members left & right		② Drawer sides left & right with cover caps (customer branding / blank)				③ XL Screw-on front fixing brackets left & right	
							
Nominal length (mm)	Cabinet set ①	Nominal length (mm)	Drawer side set - ② ③		Drawer wall only ②		* Add "D" or "P" at the end of the item no. for front fixing brackets with dowels or expandable dowels respectively.
			Matt white	Charcoal grey	Matt white	Charcoal grey	
270	301S270	270	301XD17527020	301XD17527010	301XW17527020	301XW17527010	
300	301S300	300	301XD17530020	301XD17530010	301XW17530020	301XW17530010	
350	301S350	350	301XD17535020	301XD17535010	301XW17535020	301XW17535010	
400	301S400	400	301XD17540020	301XD17540010	301XW17540020	301XW17540010	
450	301S450	450	301XD17545020	301XD17545010	301XW17545020	301XW17545010	
500	301S500	500	301XD17550020	301XD17550010	301XW17550020	301XW17550010	
550	301S550	550	301XD17555020	301XD17555010	301XW17555020	301XW17555010	

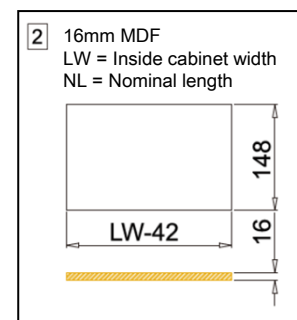
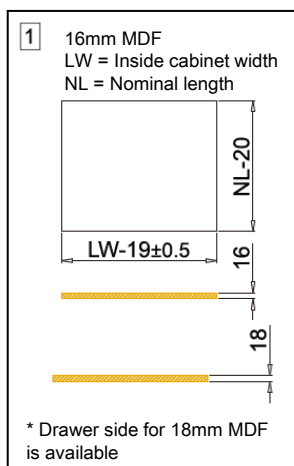
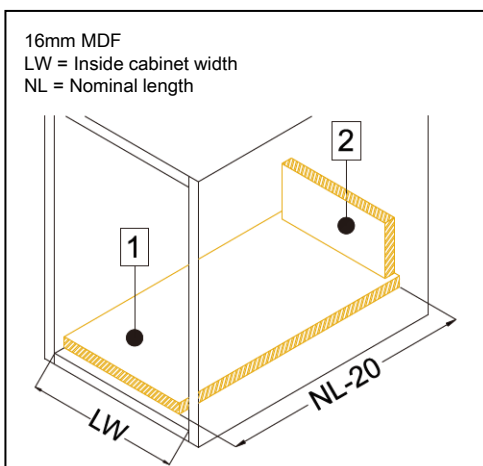
③ XL Front fixing brackets L&R

	Screw on	ZFB002
	w/ plastic dowels	ZFB002D
	w/ expandable dowels	ZFB002E

Installation dimensions (mm)



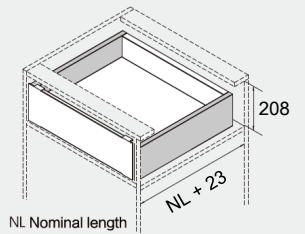
Drawer back and bottom dimensions



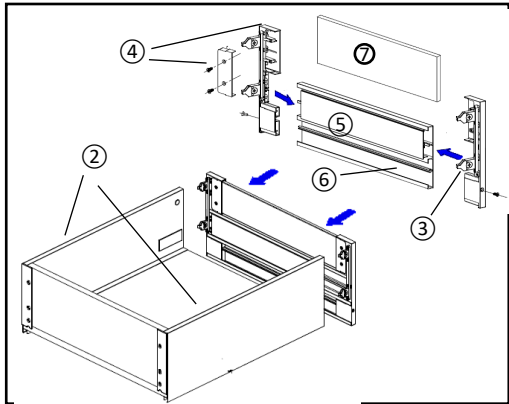


- ❑ Full extension synchronized slides;
- ❑ New design front brackets with clean and elegant look
- ❑ Thin drawer side 13mm, exterior height 175mm
- ❑ Color: White, charcoal grey
- ❑ Quick and east installation
- ❑ Soft & silent movements
- ❑ Two-dimensional adjustment at drawer front
- ❑ Loading capacity 35kg

Space requirements

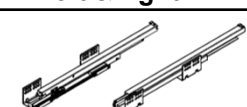
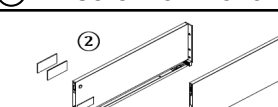
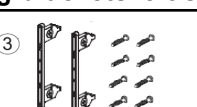
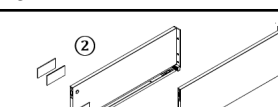


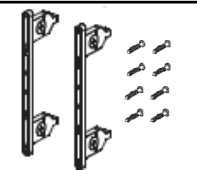
Order information

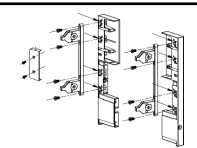


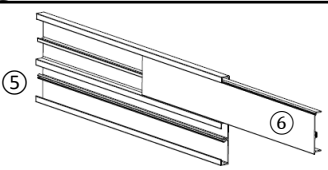
Nominal length (mm)	Drawer ki package (①②③④)	
	Charcoal grey	Matt white
270	301XT17527010	301XT17527020
300	301XT17530010	301XT17530020
350	301XT17535010	301XT17535020
400	301XT17540010	301XT17540020
450	301XT17545010	301XT17545020
500	301XT17550010	301XT17550020
550	301XT17555010	301XT17555020

Industrial pack / Distribution pack

① Cabinet members left & right		② Drawer sides left & right with cover caps (customer branding / blank)				③ XL screw-on front fixing brackets left & right	
							
Nominal length (mm)	Cabinet set ①	Nominal length (mm)	Drawer side set - ② ③		Drawer wall only ②		
			Matt white	Charcoal grey	Matt white	Charcoal grey	
270	301S270	270	301XD17527020	301XD17527010	301XW17527020	301XW17527010	
300	301S300	300	301XD17530020	301XD17530010	301XW17530020	301XW17530010	
350	301S350	350	301XD17535020	301XD17535010	301XW17535020	301XW17535010	
400	301S400	400	301XD17540020	301XD17540010	301XW17540020	301XW17540010	
450	301S450	450	301XD17545020	301XD17545010	301XW17545020	301XW17545010	
500	301S500	500	301XD17550020	301XD17550010	301XW17550020	301XW17550010	
550	301S550	550	301XD17555020	301XD17555010	301XW17555020	301XW17555010	

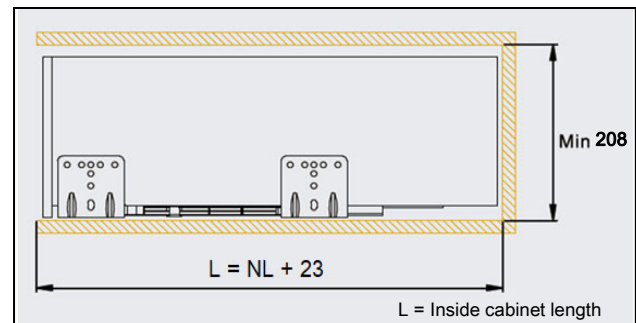
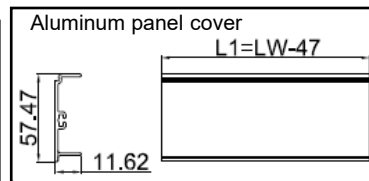
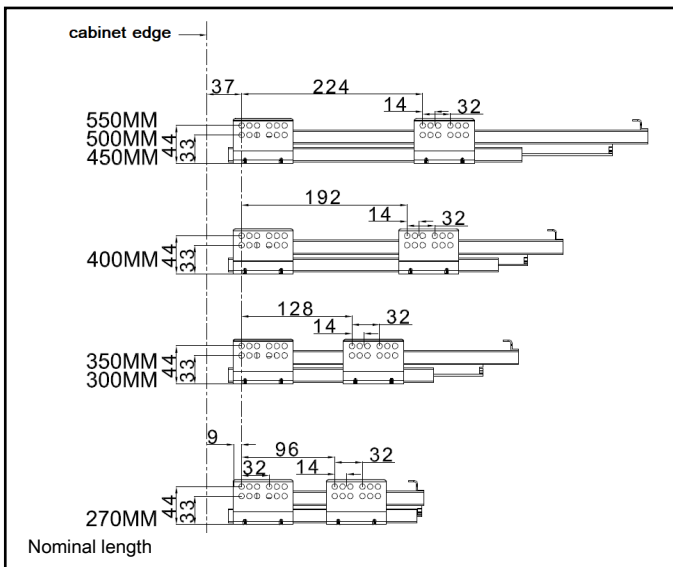
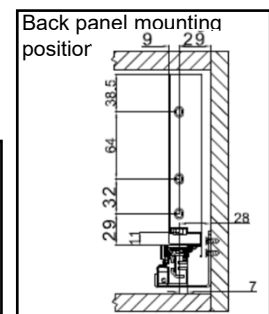
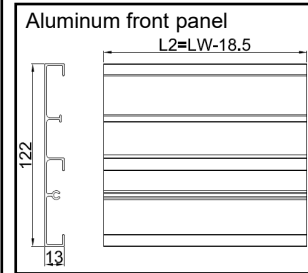
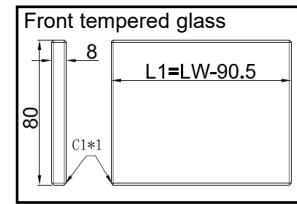
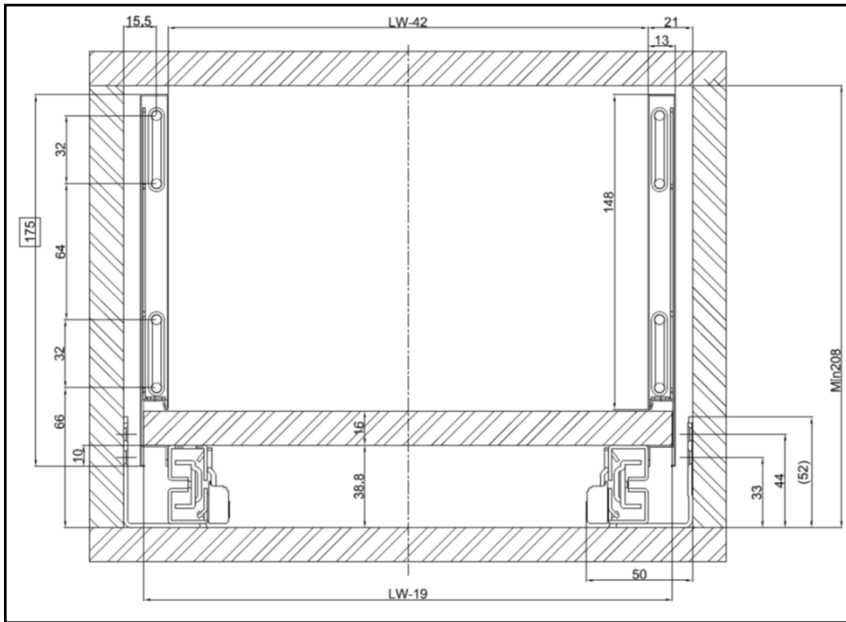
③ Front fixing brackets L&R	
	
ZFB002	

④ Front panel brackets G and covers L&R	
	
white	FPB00220
Grey	FPB00210

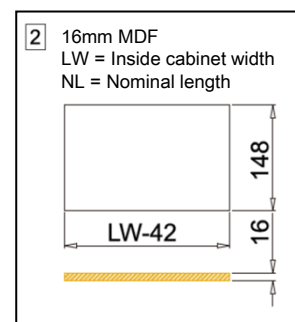
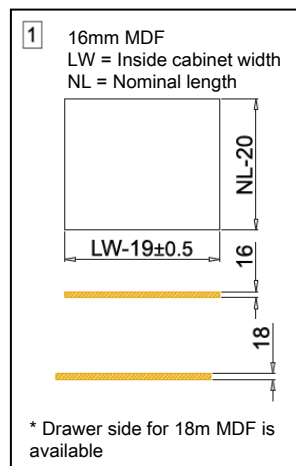
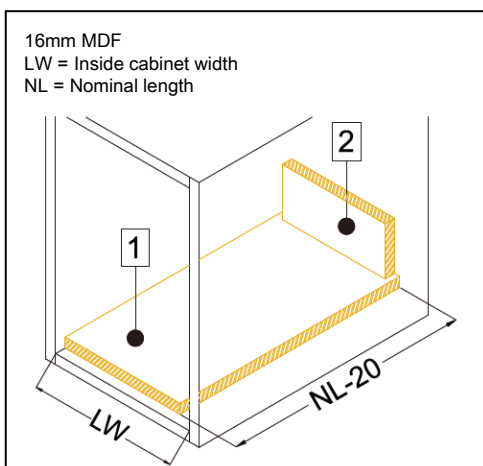
⑤ Aluminum panel cover		
⑥ Aluminum front		
		
		⑥
white	FP120020	PC120020
Grey	FP120010	PC120010

* ⑦ Front tempered glass can be sourced separately

Installation dimensions (mm)



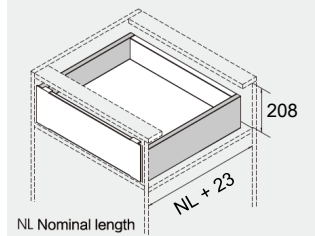
Drawer back and bottom dimensions



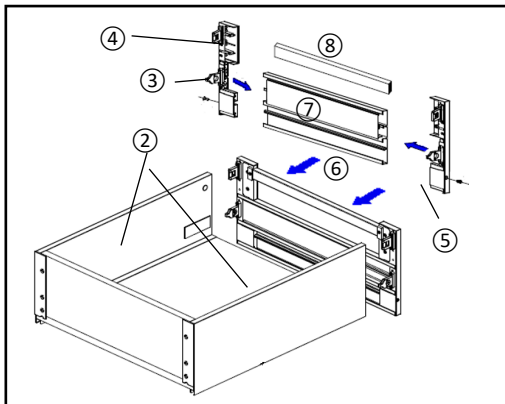


- ❑ Full extension synchronized slides;
- ❑ New design front brackets with clean and elegant look
- ❑ Thin drawer side 13mm, exterior height 175mm
- ❑ Color: White, charcoal grey
- ❑ Quick and east installation
- ❑ Soft & silent movements
- ❑ Two-dimensional adjustment at drawer front
- ❑ Loading capacity 35kg

Space requirements

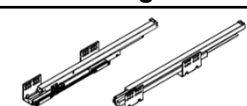
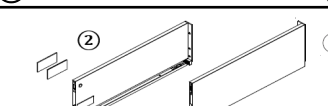
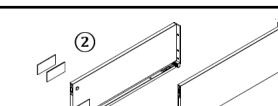


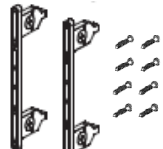
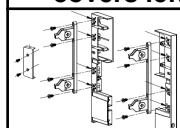
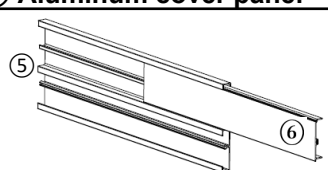

Order information



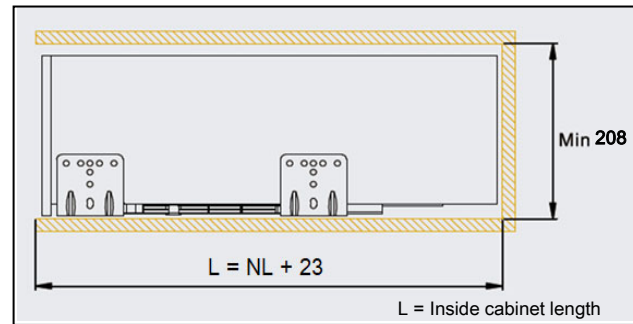
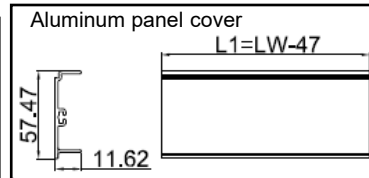
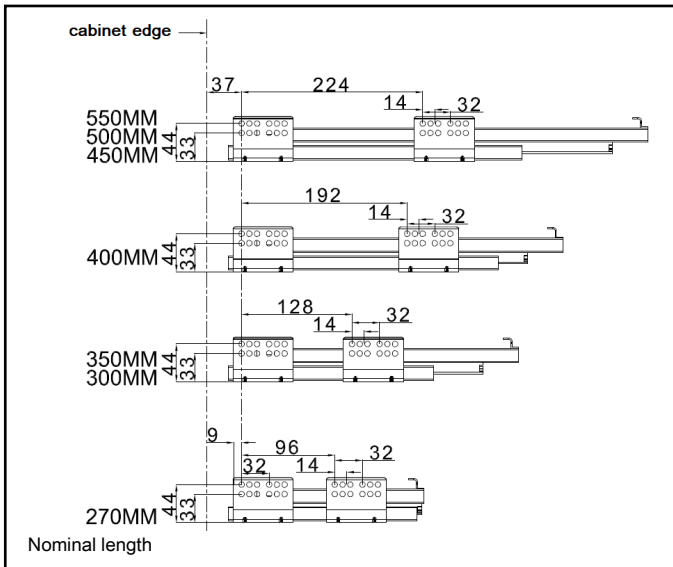
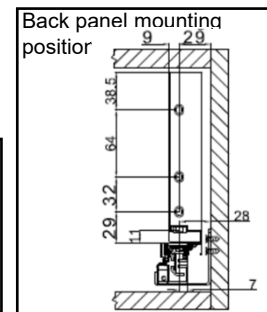
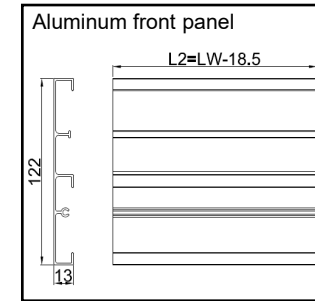
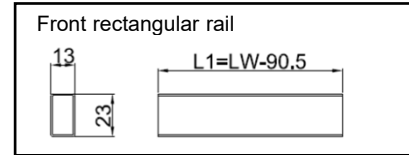
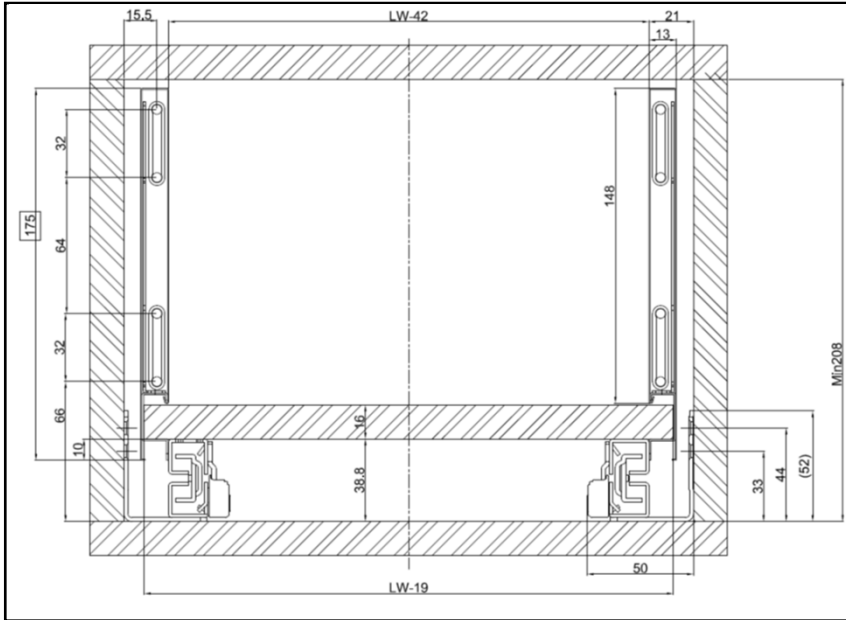
Nominal length (mm)	Drawer kit package (①②③④)	
	Charcoal grey	Matt white
270	301XT17527010	301XT17527020
300	301XT17530010	301XT17530020
350	301XT17535010	301XT17535020
400	301XT17540010	301XT17540020
450	301XT17545010	301XT17545020
500	301XT17550010	301XT17550020
550	301XT17555010	301XT17555020

Industrial pack / Distribution pack

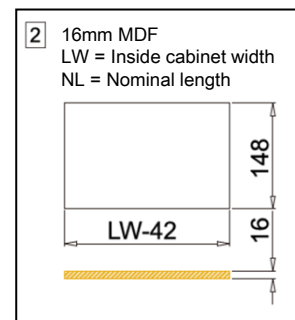
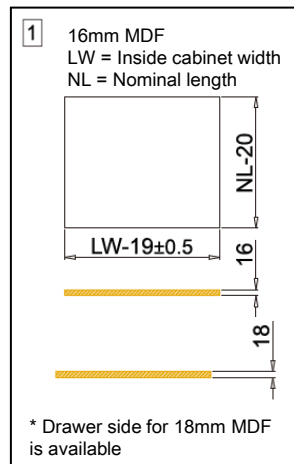
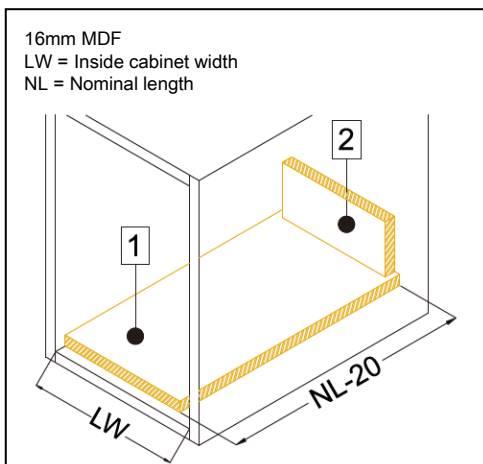
① Cabinet members left & right		② Drawer sides left & right with cover caps (customer branding / blank) ③ XL Screw-on front fixing brackets left & right				
						
Nominal length (mm)	Cabinet set ①	Nominal length (mm)	Drawer side set - ② ③		Drawer wall only ②	
			Matt white	Charcoal grey	Matt white	Charcoal grey
270	301S270	270	301XD17527020	301XD17527010	301XW17527020	301XW17527010
300	301S300	300	301XD17530020	301XD17530010	301XW17530020	301XW17530010
350	301S350	350	301XD17535020	301XD17535010	301XW17535020	301XW17535010
400	301S400	400	301XD17540020	301XD17540010	301XW17540020	301XW17540010
450	301S450	450	301XD17545020	301XD17545010	301XW17545020	301XW17545010
500	301S500	500	301XD17550020	301XD17550010	301XW17550020	301XW17550010
550	301S550	550	301XD17555020	301XD17555010	301XW17555020	301XW17555010

③ Front fixing brackets L&R		④ Front panel brackets R and covers left & right		⑤ Aluminum front panel ⑥ Aluminum cover panel		
						
ZFB002		White	FPB00320	⑤	⑥	
		Grey	FPB00310			
⑦ Front square rail		White	FR120020	white	FP120020	PC120020
		Grey	FR120010	Grey	FP120010	PC120010

Installation dimensions (mm)



Drawer back and bottom dimensions

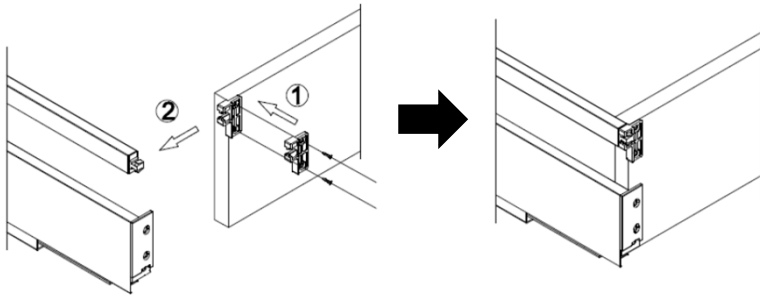




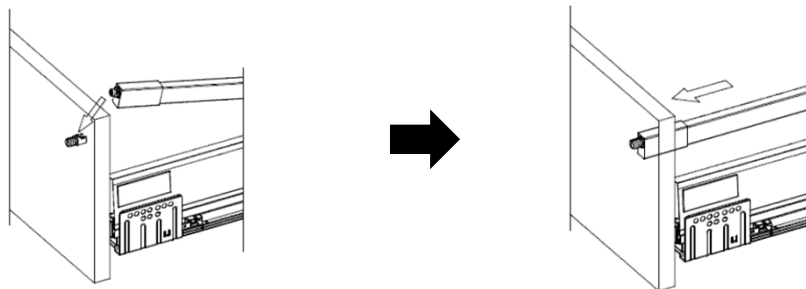
- Save cost and lower the stock level by using drawer side H90mm with the **heightening gallery** to build up a taller drawer



Gallery connecting to the drawer back with rear bracket



Gallery connecting to the drawer front with plastic dowels & caps rear bracket



Order information

Nominal length (mm)	Heightening galleries set with back brackets	
	Charcoal grey	Matt white
270	XHG0027010	XHG0027020
300	XHG0030010	XHG0030020
350	XHG0035010	XHG0035020
400	XHG0040010	XHG0040020
450	XHG0045010	XHG0045020
500	XHG0050010	XHG0050020
550	XHG0055010	XHG0055020