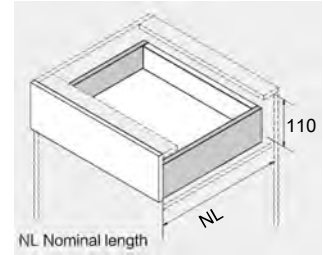


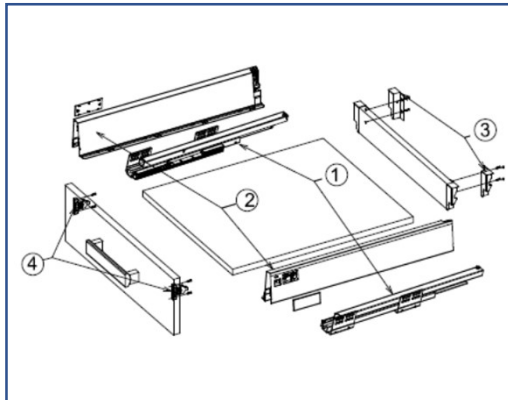


- ❑ Full extension synchronized slides – effortless soft & silent movements
- ❑ Steel drawer side H84mm
- ❑ Color: White, Silver grey, Charcoal grey
- ❑ Tool free front assembly
- ❑ 2-dimensional front adjustment

Space requirements

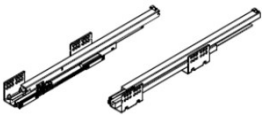
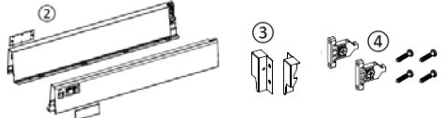
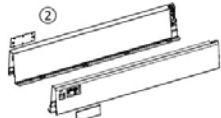


Order information


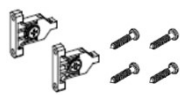




Nominal length (mm)	Drawer kit package (①②③④)	
	Silver grey	Matt white
270	101HQT8427030	101HQT8427020
300	101HQT8430030	101HQT8430020
350	101HQT8435030	101HQT8435020
400	101HQT8440030	101HQT8440020
450	101HQT8445030	101HQT8445020
500	101HQT8450030	101HQT8450020
550	101HQT8455030	101HQT8455020

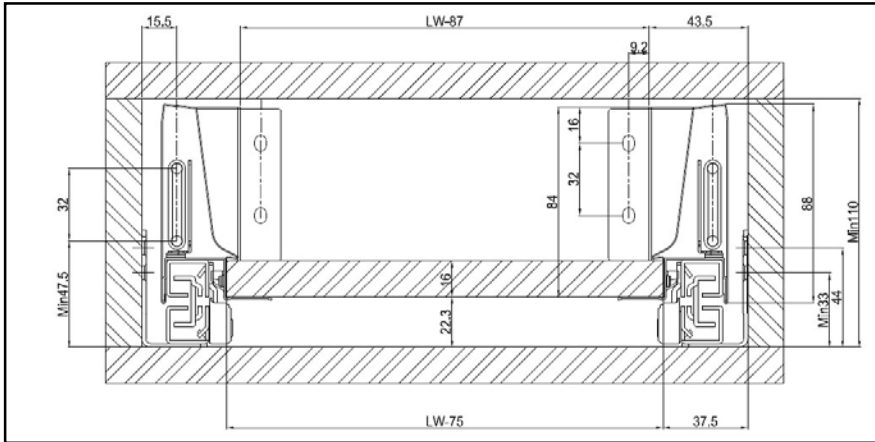
Industrial pack / Distribution pack

① Cabinet members left & right		② Drawer sides left & right with cover caps (customer branding / blank) ③ Rear bracket ④ Screw-on front fixing brackets left & right				
						
Nominal length (mm)	Cabinet set ①	Nominal length (mm)	Drawer side set - ② & ③ & ④		Drawer wall only ②	
			Matt white	Silver grey	Matt white	Silver grey
270	101S270	270	101HQD8427020	101HQD8427030	101Hqw8427020	101Hqw8427030
300	101S300	300	101HQD8430020	101HQD8430030	101Hqw8430020	101Hqw8430030
350	101S350	350	101HQD8435020	101HQD8435030	101Hqw8435020	101Hqw8435030
400	101S400	400	101HQD8440020	101HQD8440030	101Hqw8440020	101Hqw8440030
450	101S450	450	101HQD8445020	101HQD8445030	101Hqw8445020	101Hqw8445030
500	101S500	500	101HQD8450020	101HQD8450030	101Hqw8450020	101Hqw8450030
550	101S550	550	101HQD8455020	101HQD8455030	101Hqw8455020	101Hqw8455030

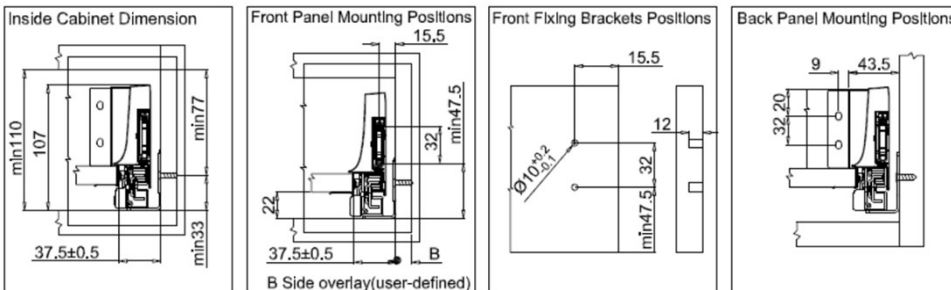
* Add "D" or "P" at the end of the item no. for front fixing brackets with dowels or expandable dowels respectively.

③ Rear bracket L&R			④ Front fixing brackets left & right		
	White	HQ84RB20	Screw on	With plastic dowels	With expandable dowels
	Silver grey	HQ84RB30			
			ZFB001	ZFB001D	ZFB001E

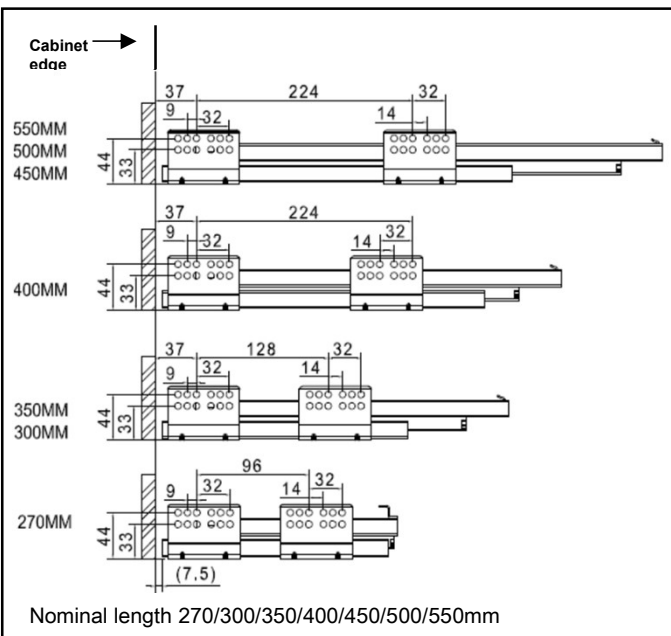
Installation dimensions (mm)



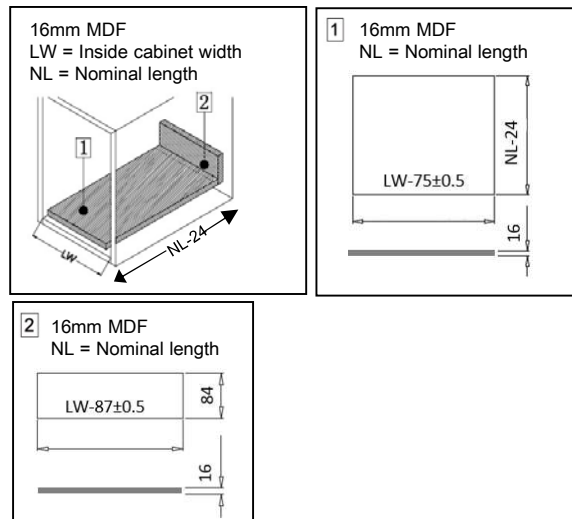
Drawer front & back – drilling position



Cabinet profile – drilling positions



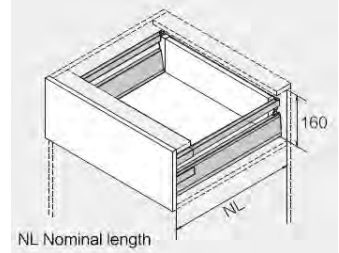
Cutting size - back & bottom clipboards





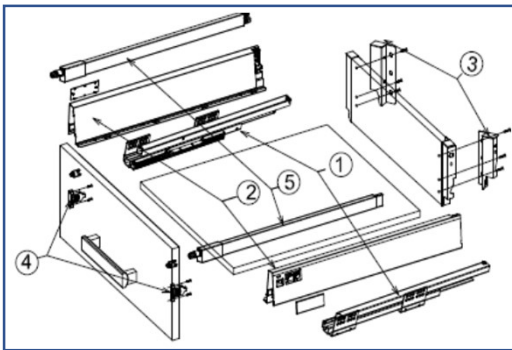
- ❑ Full extension synchronized slides – effortless soft & silent movements
- ❑ Steel drawer side H135mm
- ❑ Color: White, Silver grey, Charcoal grey
- ❑ Tool free front assembly
- ❑ 2-dimensional front adjustment

Space requirements



Order information

Kit pack / Industrial pack / Distribution pack



NL (mm)	Kit package (Full set) ①②③④⑤	
	Silver grey	Matt white
270	101HQT13527030	101HQT13527020
300	101HQT13530030	101HQT13530020
350	101HQT13535030	101HQT13535020
400	101HQT13540030	101HQT13540020
450	101HQT13545030	101HQT13545020
500	101HQT13550030	101HQT13550020
550	101HQT13555030	101HQT13555020

① Cabinet members	
NL (mm)	
270	101S270
300	101S300
350	101S350
400	101S400
450	101S450
500	101S500
550	101S550

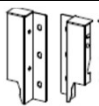
② Drawer sides with cover caps (customer branding / blank)

③ Rear bracket ④ Screw-on front fixing brackets ⑤ Lateral galleries




NL (mm)	Drawer side set - ② & ③ & ④		Drawer wall only ②		Lateral galleries only ⑤	
	Matt white	Silver grey	Matt white	Silver grey	Matt white	Silver grey
270	101HQD13527020	101HQD13527030	101HQW8427020	101HQW8427030	101HQLG27020	101HQLG27030
300	101HQD13530020	101HQD13530030	101HQW8430020	101HQW8430030	101HQLG30020	101HQLG30030
350	101HQD13535020	101HQD13535030	101HQW8435020	101HQW8435030	101HQLG35020	101HQLG35030
400	101HQD13540020	101HQD13540030	101HQW8440020	101HQW8440030	101HQLG40020	101HQLG40030
450	101HQD13545020	101HQD13545030	101HQW8445020	101HQW8445030	101HQLG45020	101HQLG45030
500	101HQD13550020	101HQD13550030	101HQW8450020	101HQW8450030	101HQLG50020	101HQLG50030
550	101HQD13555020	101HQD13555030	101HQW8455020	101HQW8455030	101HQLG55020	101HQLG55030

* Add "D" or "P" at the end of the item no. for front fixing brackets with dowels or expandable dowels respectively.

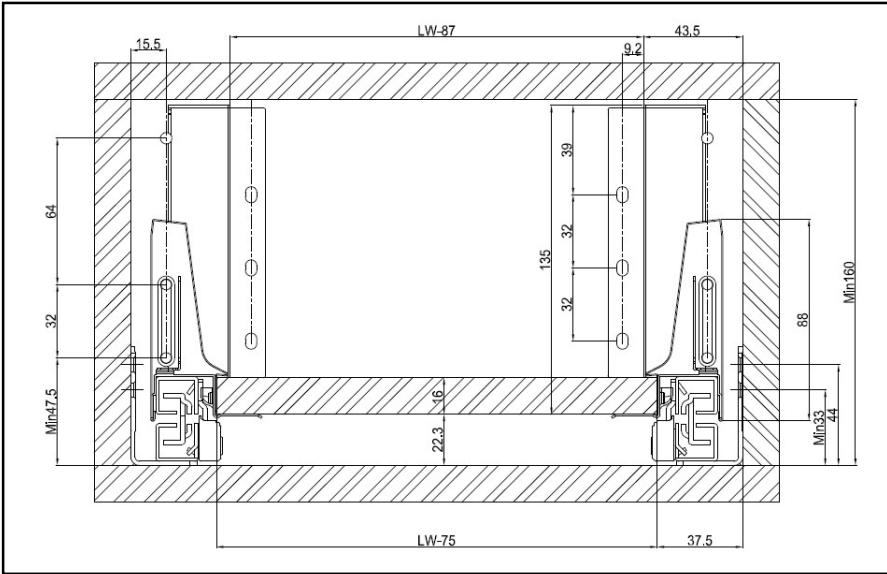
③ Rear bracket L&R

	White	HQ135RB20
	Silver grey	HQ135RB30

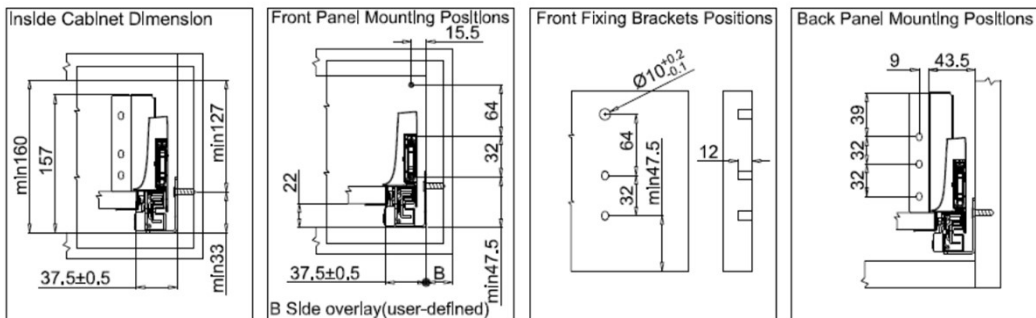
④ Front fixing brackets left & right

Screw on	With plastic dowels	With expandable dowels
		
ZFB001	ZFB001D	ZFB001E

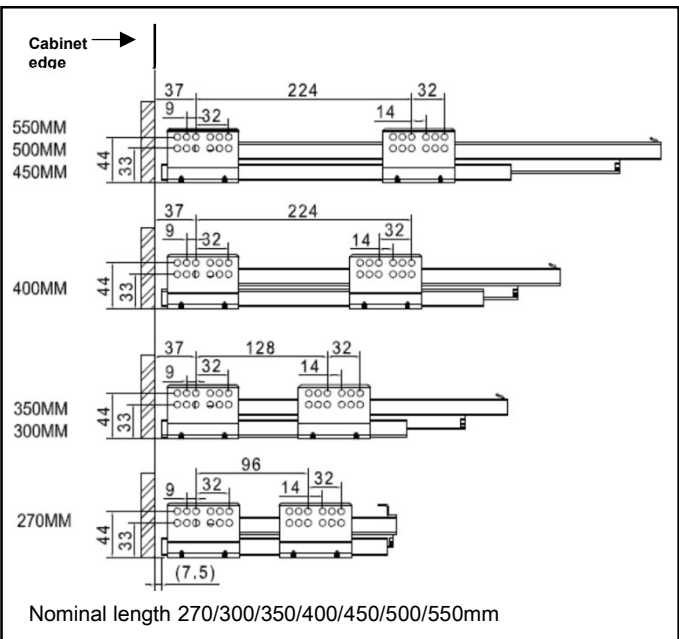
Installation dimensions (mm)



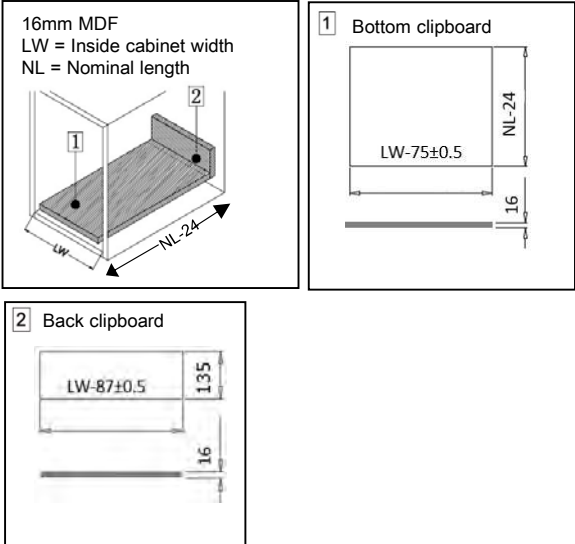
Drawer front & back – drilling position



Cabinet profile – drilling positions



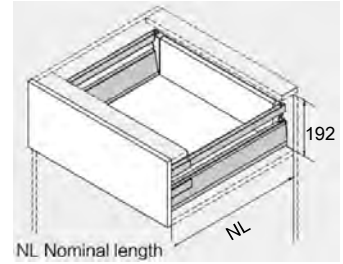
Cutting size - back & bottom clipboards





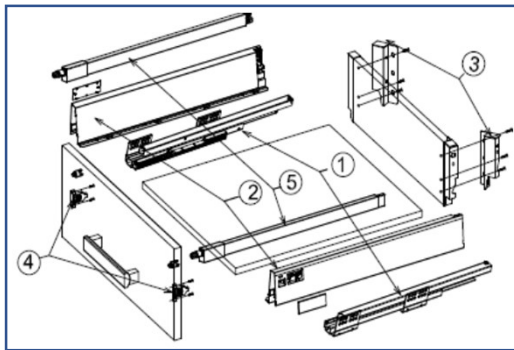
- ❑ Full extension synchronized slides – effortless soft & silent movements
- ❑ Steel drawer side H167mm
- ❑ Color: White, Silver grey, Charcoal grey
- ❑ Tool free front assembly
- ❑ 2-dimensional front adjustment

Space requirements



Order information

Kit pack / Industrial pack / Distribution pack



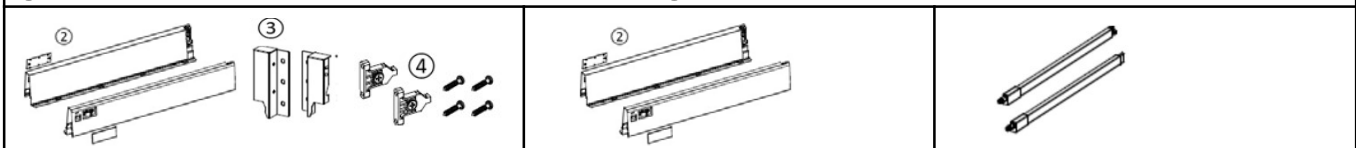
NL (mm)	Kit package (Full set) ①②③④⑤	
	Silver grey	Matt white
270	101HQT16727030	101HQT16727020
300	101HQT16730030	101HQT16730020
350	101HQT16735030	101HQT16735020
400	101HQT16740030	101HQT16740020
450	101HQT16745030	101HQT16745020
500	101HQT16750030	101HQT16750020
550	101HQT16755030	101HQT16755020

① Cabinet members

NL (mm)	
270	101S270
300	101S300
350	101S350
400	101S400
450	101S450
500	101S500
550	101S550

② Drawer sides with cover caps (customer branding / blank)

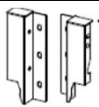
③ Rear bracket ④ Screw-on front fixing brackets ⑤ Lateral galleries



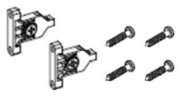

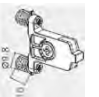
NL (mm)	Drawer side set - ② & ③ & ④		Drawer wall only ②		Lateral galleries only ⑤	
	Matt white	Silver grey	Matt white	Silver grey	Matt white	Silver grey
270	101HQD16727020	101HQD16727030	101HQW8427020	101HQW8427030	101HQLG27020	101HQLG27030
300	101HQD16730020	101HQD16730030	101HQW8430020	101HQW8430030	101HQLG30020	101HQLG30030
350	101HQD16735020	101HQD16735030	101HQW8435020	101HQW8435030	101HQLG35020	101HQLG35030
400	101HQD16740020	101HQD16740030	101HQW8440020	101HQW8440030	101HQLG40020	101HQLG40030
450	101HQD16745020	101HQD16745030	101HQW8445020	101HQW8445030	101HQLG45020	101HQLG45030
500	101HQD16750020	101HQD16750030	101HQW8450020	101HQW8450030	101HQLG50020	101HQLG50030
550	101HQD16755020	101HQD16755030	101HQW8455020	101HQW8455030	101HQLG55020	101HQLG55030

* Add "D" or "P" at the end of the item no. for front fixing brackets with dowels or expandable dowels respectively.

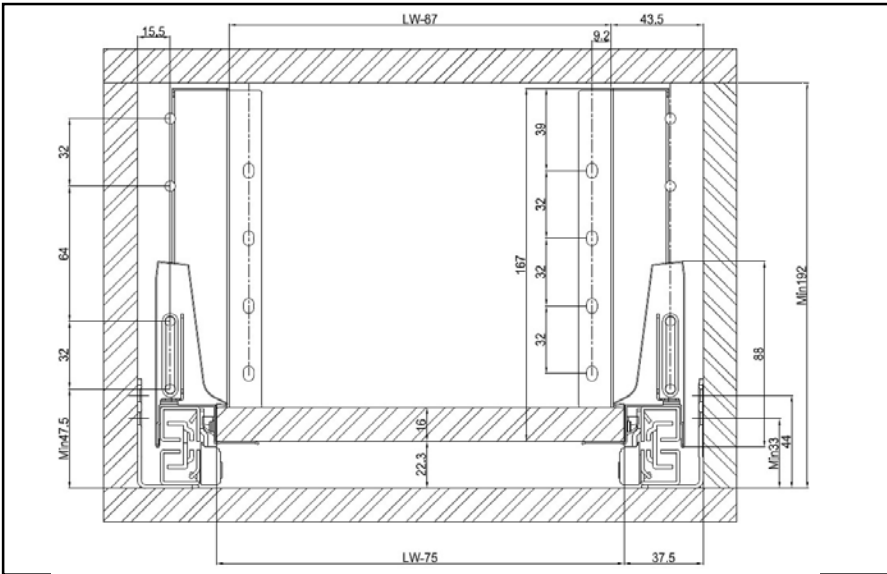
③ Rear bracket L&R

	White	HQ135RB20
	Silver grey	HQ135RB30

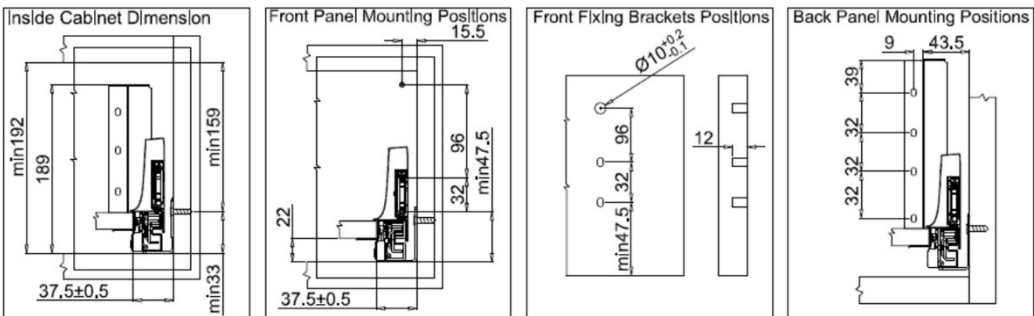
④ Front fixing brackets left & right

Screw on	With plastic dowels	With expandable dowels
		
ZFB001	ZFB001D	ZFB001E

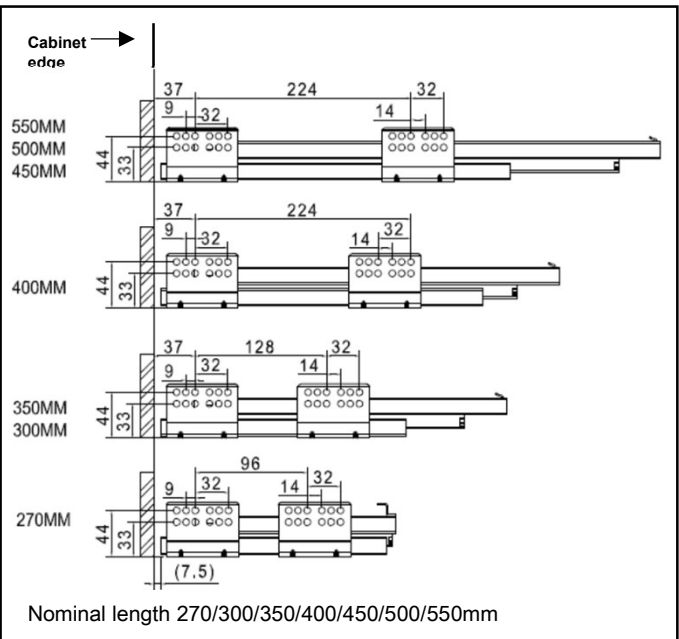
Installation dimensions (mm)



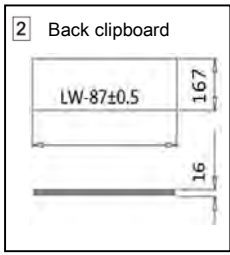
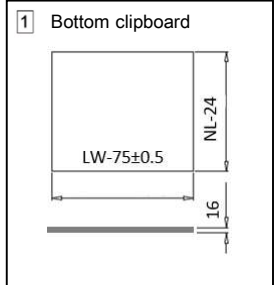
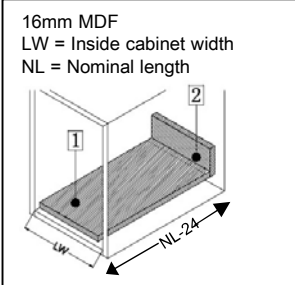
Drawer front & back – drilling position



Cabinet profile – drilling positions



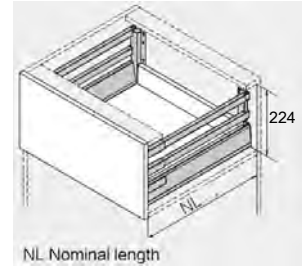
Cutting size - back & bottom clipboards





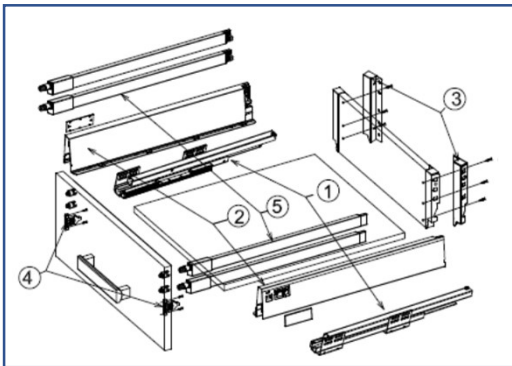
- ❑ Full extension synchronized slides – effortless soft & silent movements
- ❑ Steel drawer side H199mm
- ❑ Color: White, Silver grey, Charcoal grey
- ❑ Tool free front assembly
- ❑ 2-dimensional front adjustment

Space requirements



Order information

Kit pack / Industrial pack / Distribution pack



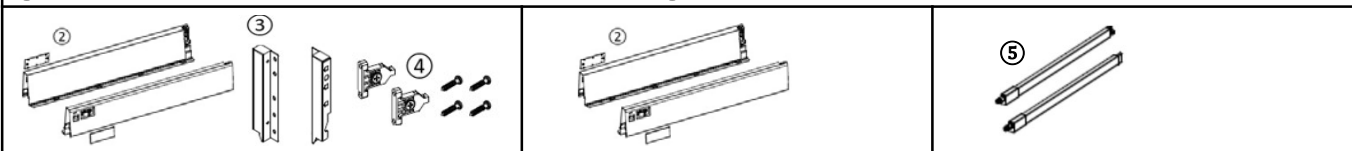
NL (mm)	Kit package (Full set) ①②③④⑤	
	Silver grey	Matt white
270	101HQT19927030	101HQT19927020
300	101HQT19930030	101HQT19930020
350	101HQT19935030	101HQT19935020
400	101HQT19940030	101HQT19940020
450	101HQT19945030	101HQT19945020
500	101HQT19950030	101HQT19950020
550	101HQT19955030	101HQT19955020

① Cabinet members

NL (mm)	
270	101S270
300	101S300
350	101S350
400	101S400
450	101S450
500	101S500
550	101S550

② Drawer sides with cover caps (customer branding / blank)

③ Rear bracket ④ Screw-on front fixing brackets ⑤ Lateral galleries

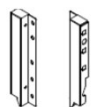


NL (mm)	Drawer side set - ② & ③ & ④		Drawer wall only ②		Lateral galleries only ⑤	
	Matt white	Silver grey	Matt white	Silver grey	Matt white	Silver grey
270	101HQD19927020	101HQD19927030	101HQW8427020	101HQW8427030	101HQLG27020	101HQLG27030
300	101HQD19930020	101HQD19930030	101HQW8430020	101HQW8430030	101HQLG30020	101HQLG30030
350	101HQD19935020	101HQD19935030	101HQW8435020	101HQW8435030	101HQLG35020	101HQLG35030
400	101HQD19940020	101HQD19940030	101HQW8440020	101HQW8440030	101HQLG40020	101HQLG40030
450	101HQD19945020	101HQD19945030	101HQW8445020	101HQW8445030	101HQLG45020	101HQLG45030
500	101HQD19950020	101HQD19950030	101HQW8450020	101HQW8450030	101HQLG50020	101HQLG50030
550	101HQD19955020	101HQD19955030	101HQW8455020	101HQW8455030	101HQLG55020	101HQLG55030




* Add "D" or "P" at the end of the item no. for front fixing brackets with dowels or expandable dowels respectively.

Note: The unit price is only for 1 pair of 2 pcs L&R. It can be used with one (1) or two (2) pairs.

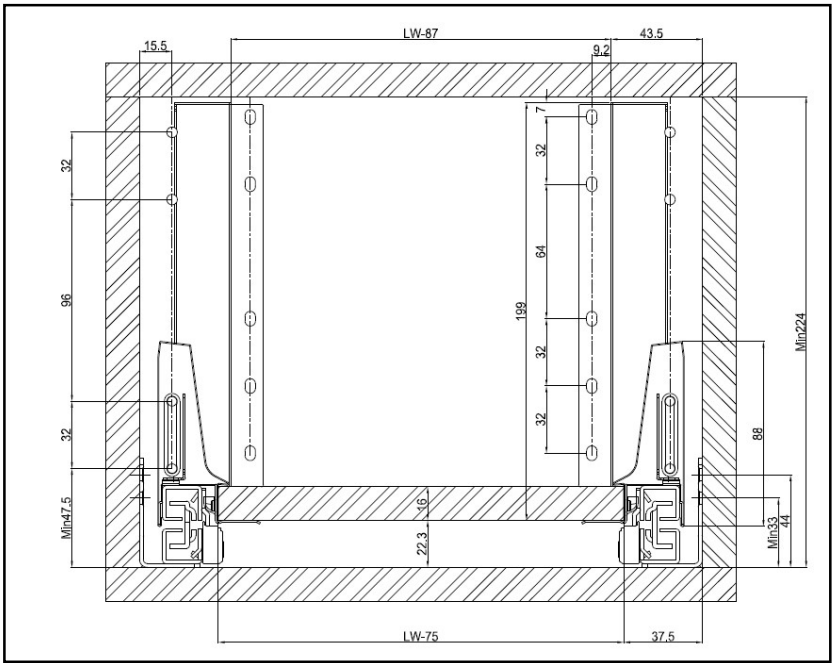
③ Rear bracket L&R

	White	HQ199RB20
	Silver grey	HQ199RB30

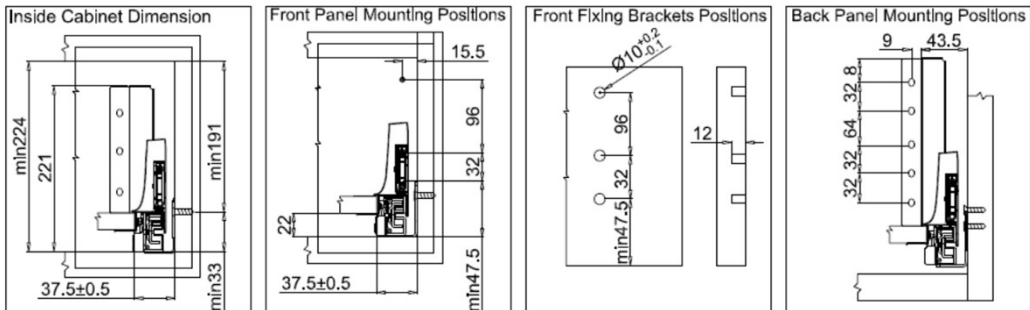
④ Front fixing brackets left & right

Screw on	With plastic dowels	With expandable dowels
		
ZFB001	ZFB001D	ZFB001E

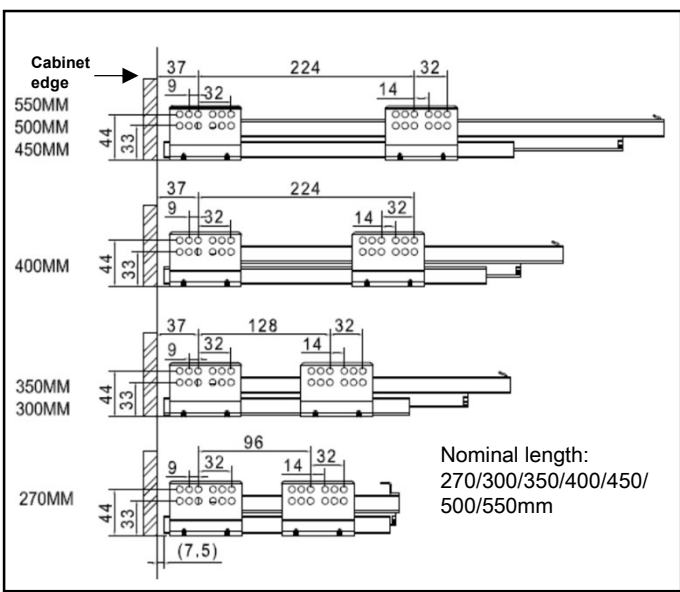
Installation dimensions (mm)



Drawer front & back – drilling position



Cabinet profile – drilling positions



Cutting size - back & bottom clipboards

