



VISION

Slim drawer





VISION

Slim drawer



Ultra Slim-Q



Features

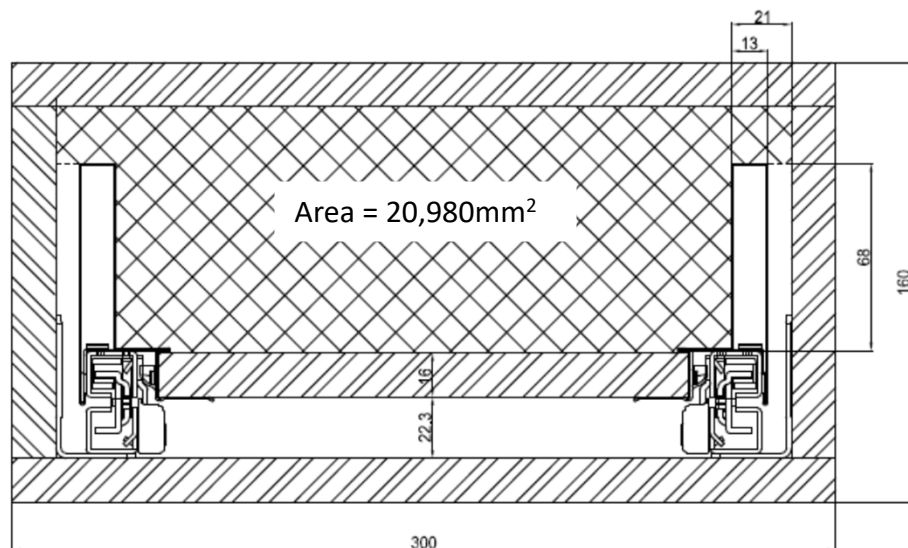
- Special bottom track design further **MAXIMIZE** usage space
- **INTERCHANGABLE** with leading brand's double wall drawer
- Quick mounting and dismantling the drawer by special front clips integrated on the slides
- 3 different heights: 88, 121, 171, 203mm
- Length: 270, 300, 350, 400, 450, 500, 550mm



- Long soft closing distance 50mm, even on L270mm drawer
- Avoid malfunction by wood dust with completely “seal” design on the damping system

Usage space – Drawer L500MM

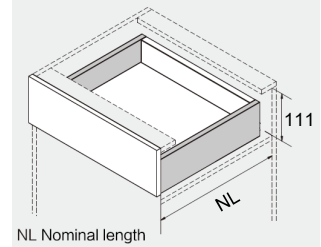
Ultra Slim-Q
101QT88500



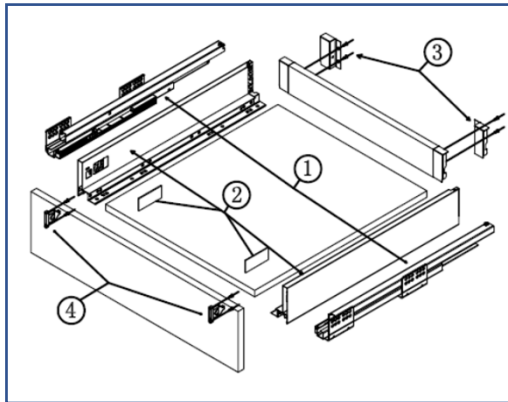


- ❑ Full extension synchronized slides;
- ❑ Thin drawer side 13mm, exterior height 88mm
- ❑ Color: White, charcoal grey
- ❑ Quick and easy installation
- ❑ Soft & silent movements during drawer opening and closing
- ❑ Two-dimensional adjustment at drawer front
- ❑ Loading capacity 35kg
** heavy duty 50kg is available

Space requirements

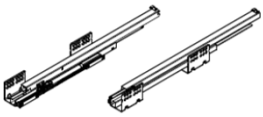
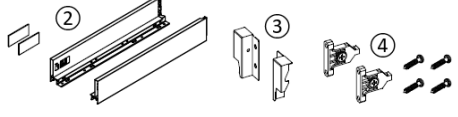
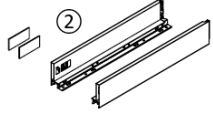


Order information



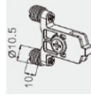
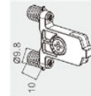


Nominal length (mm)	Drawer kit package (①②③④)	
	Charcoal grey	Matt white
270	101QT8827010	101QT8827020
300	101QT8830010	101QT8830020
350	101QT8835010	101QT8835020
400	101QT8840010	101QT8840020
450	101QT8845010	101QT8845020
500	101QT8850010	101QT8850020
550	101QT8855010	101QT8855020

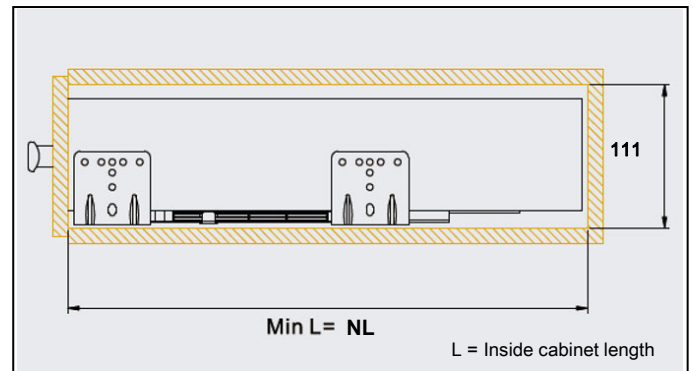
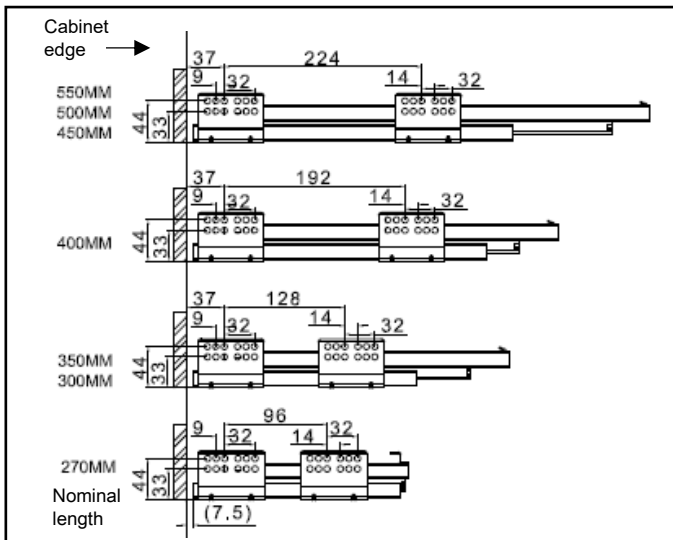
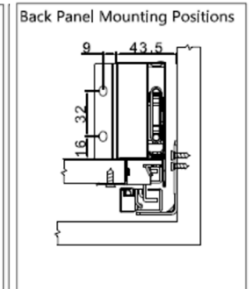
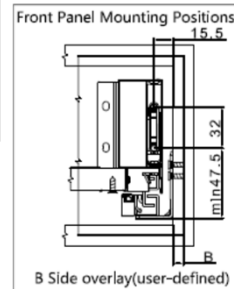
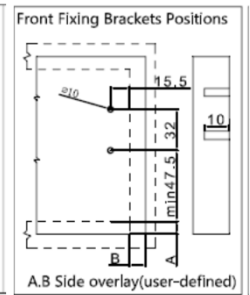
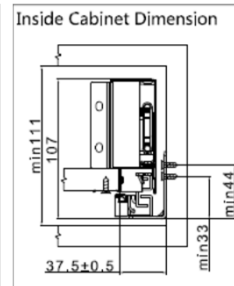
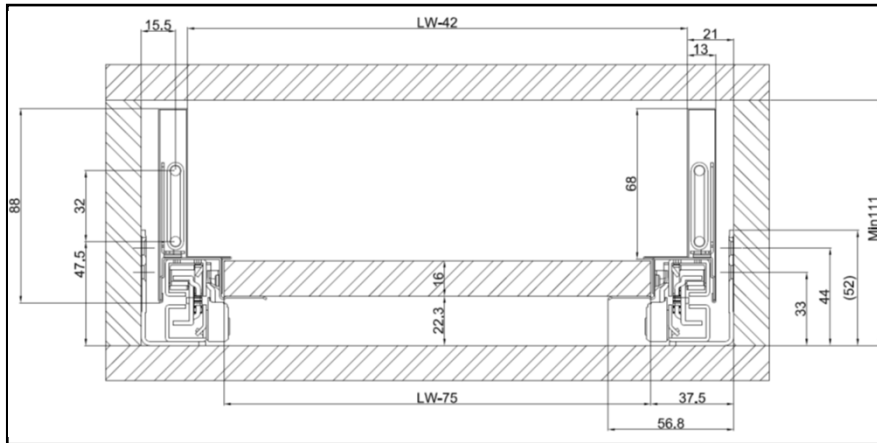
Industrial pack / Distribution pack

① Cabinet members left & right		② Drawer sides left & right with cover caps (customer branding / blank)				
						
③ Rear bracket ④ Screw-on front fixing brackets left & right						
Nominal length (mm)	Cabinet set ①	Nominal length (mm)	Drawer side set - ② & ③ & ④		Drawer wall only ②	
			Matt white	Charcoal grey	Matt white	Charcoal grey
270	101S270	270	101QD8827020	101QD8827010	101QW8827020	101QW8827010
300	101S300	300	101QD8830020	101QD8830010	101QW8830020	101QW8830010
350	101S350	350	101QD8835020	101QD8835010	101QW8835020	101QW8835010
400	101S400	400	101QD8840020	101QD8840010	101QW8840020	101QW8840010
450	101S450	450	101QD8845020	101QD8845010	101QW8845020	101QW8845010
500	101S500	500	101QD8850020	101QD8850010	101QW8850020	101QW8850010
550	101S550	550	101QD8855020	101QD8855010	101QW8855020	101QW8855010

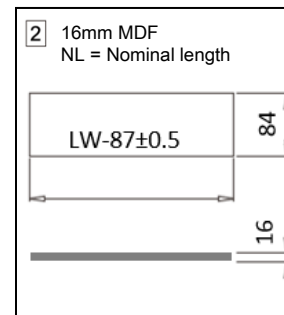
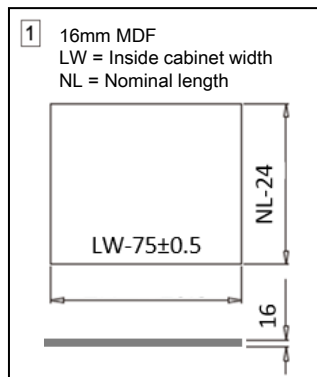
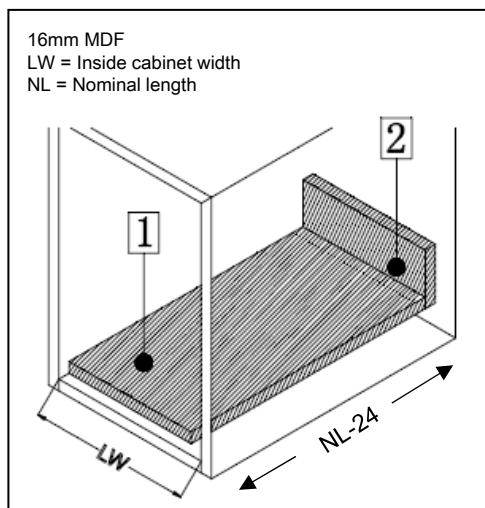
* Add "D" or "P" at the end of the item no. for front fixing brackets with dowels or expandable dowels respectively.

③ Rear bracket L&R			④ Front fixing brackets left & right		
	White	QT88RB20	Screw on	With plastic dowels	With expandable dowels
	Charcoal grey	QT88RB10			
			ZFB001	ZFB001D	ZFB001E

Installation dimensions (mm)



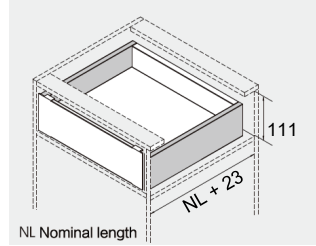
Drawer back and bottom dimensions (mm)



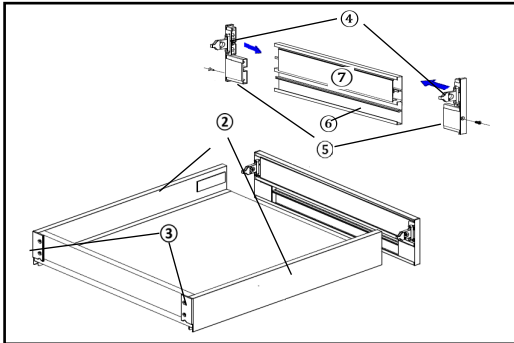


- ❑ Full extension synchronized slides;
- ❑ Thin drawer side 13mm, exterior height 88mm
- ❑ Color: White, charcoal grey
- ❑ Quick and easy installation
- ❑ Soft & silent movements during drawer opening and closing
- ❑ Two-dimensional adjustment at drawer front
- ❑ Loading capacity 35kg
** heavy duty 50kg is available

Space requirements

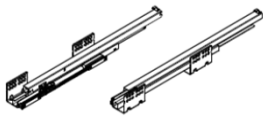
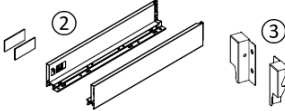
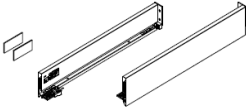



Order information

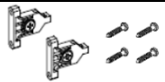


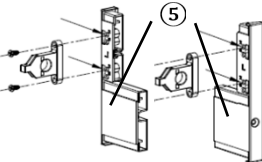
Nominal length (mm)	Drawer kit package (①②③④)	
	Charcoal grey	Matt white
270	101QT8827010	101QT8827020
300	101QT8830010	101QT8830020
350	101QT8835010	101QT8835020
400	101QT8840010	101QT8840020
450	101QT8845010	101QT8845020
500	101QT8850010	101QT8850020
550	101QT8855010	101QT8855020

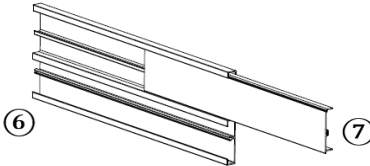
Industrial pack / Distribution pack

① Cabinet members left & right		② Drawer sides left & right with cover caps (customer branding / blank) ③ Rear bracket ④ Screw-on front fixing brackets left & right				
						
Nominal length (mm)	Cabinet set ①	Nominal length (mm)	Drawer side set - ② ③ ④		Drawer wall only ②	
			Matt white	Charcoal grey	Matt white	Charcoal grey
270	101S270	270	101QD8827020	101QD8827010	101QW8827020	101QW8827010
300	101S300	300	101QD8830020	101QD8830010	101QW8830020	101QW8830010
350	101S350	350	101QD8835020	101QD8835010	101QW8835020	101QW8835010
400	101S400	400	101QD8840020	101QD8840010	101QW8840020	101QW8840010
450	101S450	450	101QD8845020	101QD8845010	101QW8845020	101QW8845010
500	101S500	500	101QD8850020	101QD8850010	101QW8850020	101QW8850010
550	101S550	550	101QD8855020	101QD8855010	101QW8855020	101QW8855010

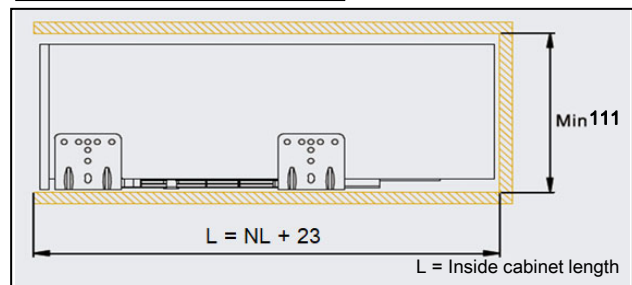
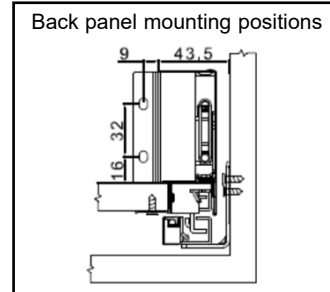
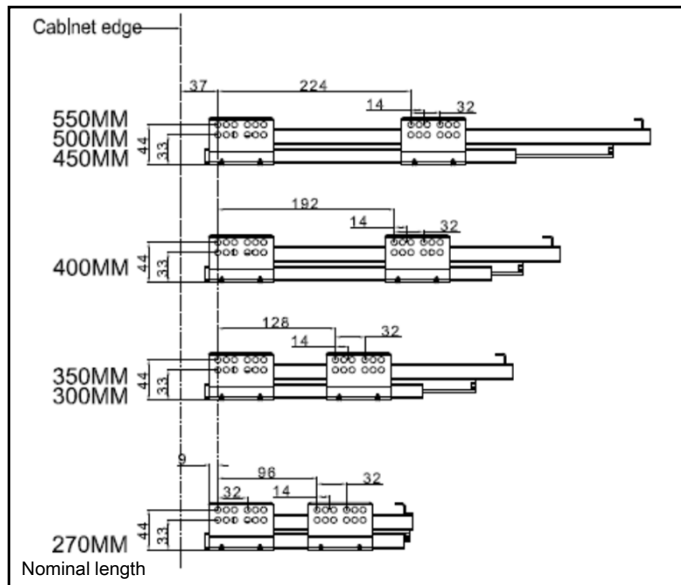
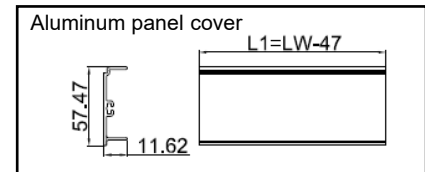
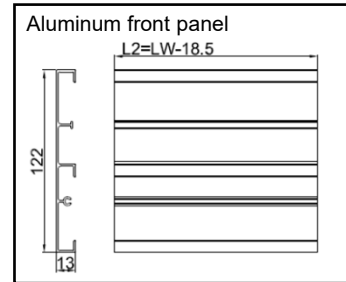
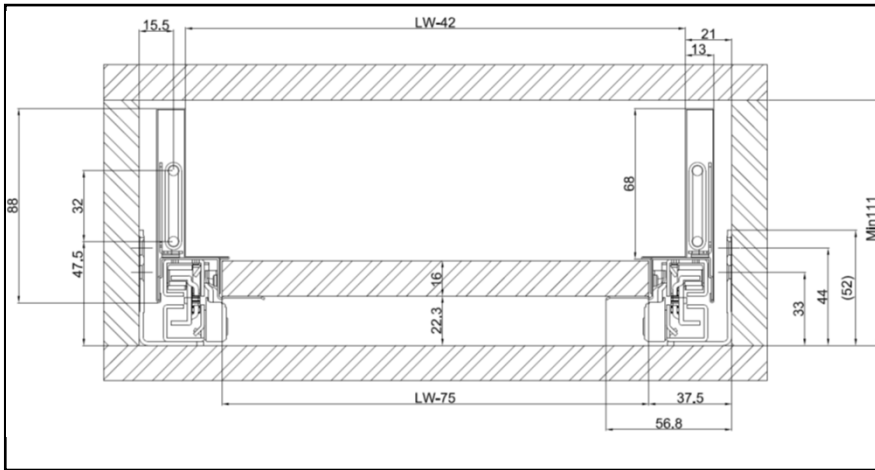
③ Rear bracket L&R		
	White	QT88RB20
	Charcoal grey	QT88RB10

④ Screw on front fixing brackets left & right	
	ZFB001

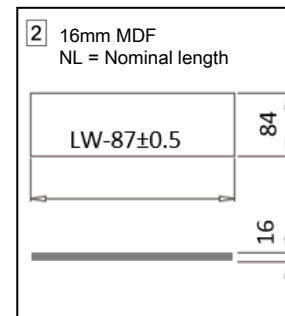
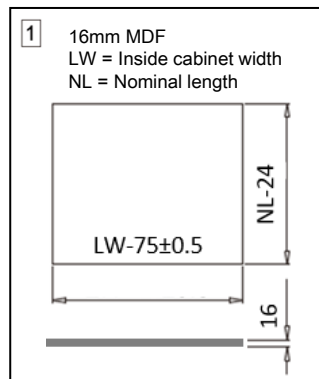
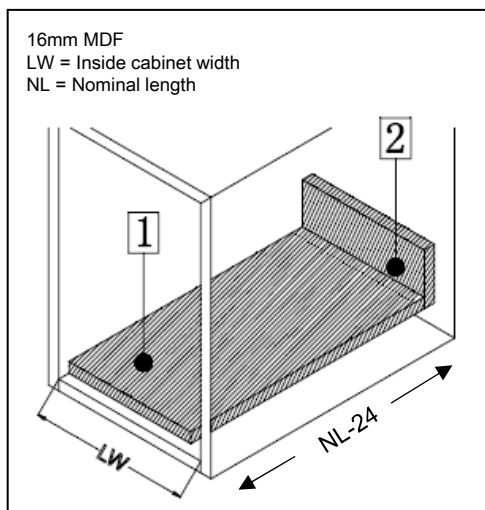
⑤ Front panel bracket left & right	
	
White	FPB00120
Dark grey	FPB00110

⑥ Aluminum front panel & ⑦ Aluminum panel cover		
		
	⑥	⑦
White	FP120020	PC120020
Charcoal grey	FP120010	PC120010

Installation dimensions (mm)



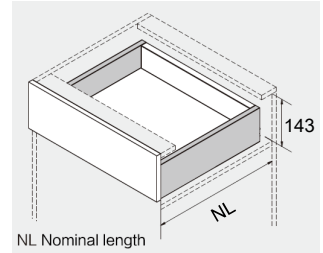
Drawer back and bottom dimensions (mm)



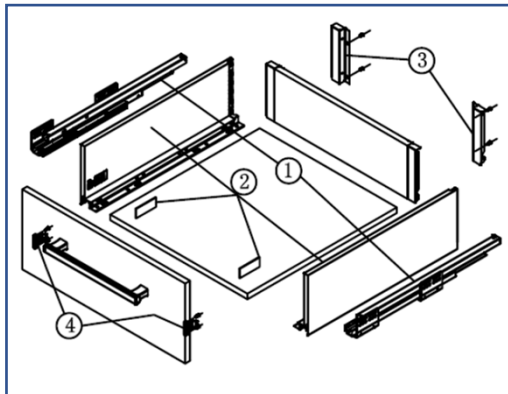


- ❑ Full extension synchronized slides;
 - ❑ Thin drawer side 13mm, exterior height 120mm
 - ❑ Color: White, charcoal grey
 - ❑ Quick and easy installation
 - ❑ Soft & silent movements during drawer opening and closing
 - ❑ Two-dimensional adjustment at drawer front
 - ❑ Loading capacity 35kg
- ** heavy duty 50kg is available

Space requirements



Order information




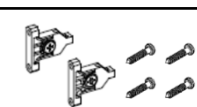
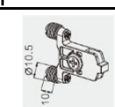
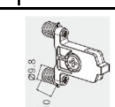
Nominal length (mm)	Drawer kit package (①②③④)	
	Charcoal grey	Matt white
270	101QT12027010	101QT12027020
300	101QT12030010	101QT12030020
350	101QT12035010	101QT12035020
400	101QT12040010	101QT12040020
450	101QT12045010	101QT12045020
500	101QT12050010	101QT12050020
550	101QT12055010	101QT12055020

Industrial pack / Distribution pack

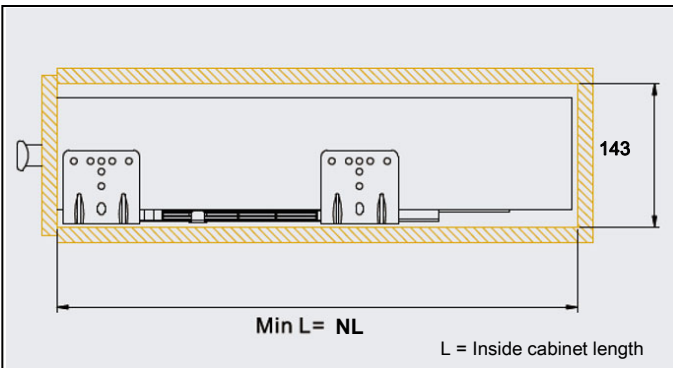
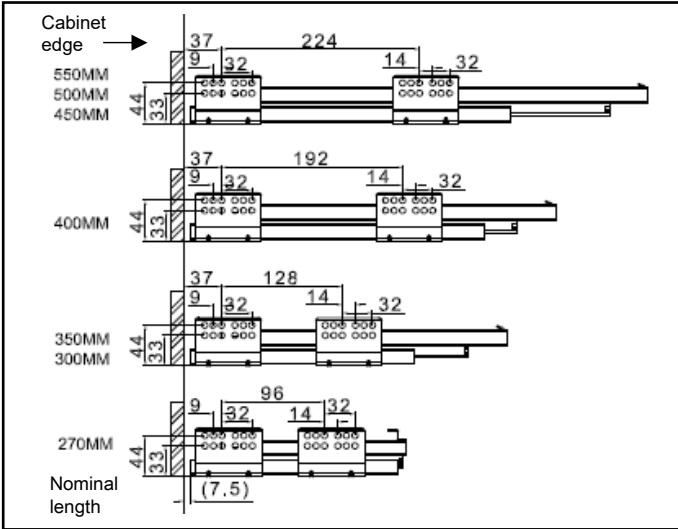
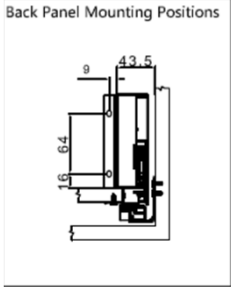
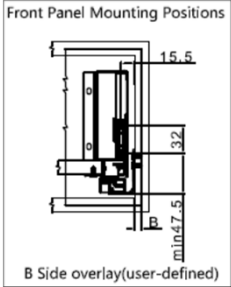
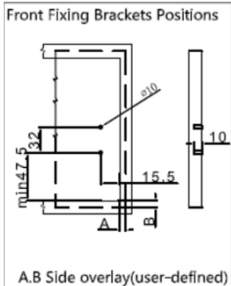
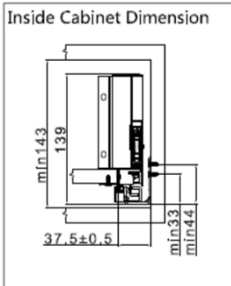
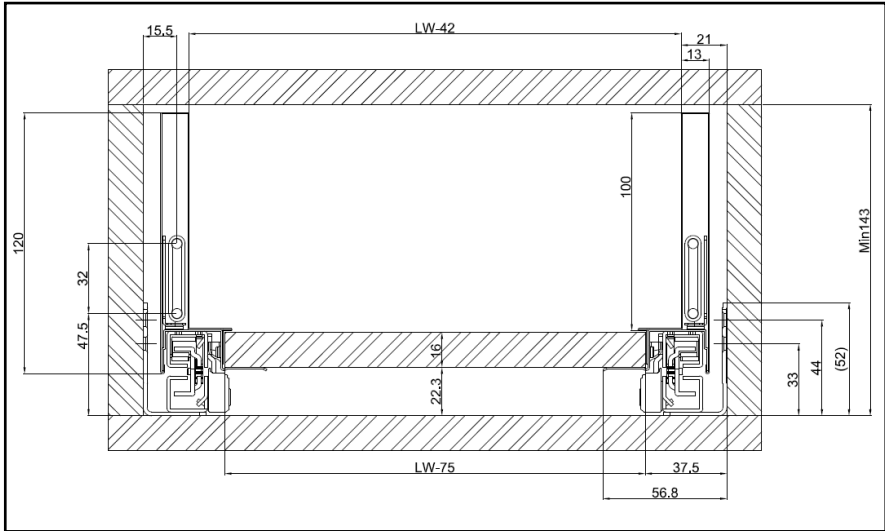
① Cabinet members left & right		② Drawer sides left & right with cover caps (customer branding / blank)				
		③ Rear bracket ④ Screw-on front fixing brackets left & right				
Nominal length (mm)	Cabinet set ①	Nominal length (mm)	Drawer side set - ② & ③ & ④		Drawer wall only ②	
			Matt white	Charcoal grey	Matt white	Charcoal grey
270	101S270	270	101QD12027020	101QD12027010	101QW12027020	101QW12027010
300	101S300	300	101QD12030020	101QD12030010	101QW12030020	101QW12030010
350	101S350	350	101QD12035020	101QD12035010	101QW12035020	101QW12035010
400	101S400	400	101QD12040020	101QD12040010	101QW12040020	101QW12040010
450	101S450	450	101QD12045020	101QD12045010	101QW12045020	101QW12045010
500	101S500	500	101QD12050020	101QD12050010	101QW12050020	101QW12050010
550	101S550	550	101QD12055020	101QD12055010	101QW12055020	101QW12055010

* Add "D" or "P" at the end of the item no. for front fixing brackets with dowels or expandable dowels respectively.

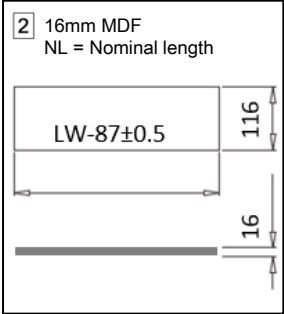
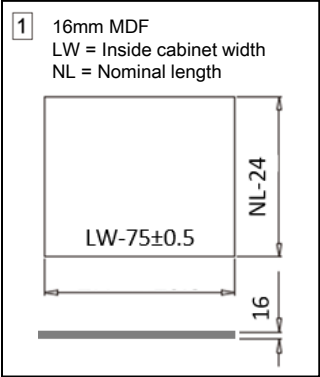
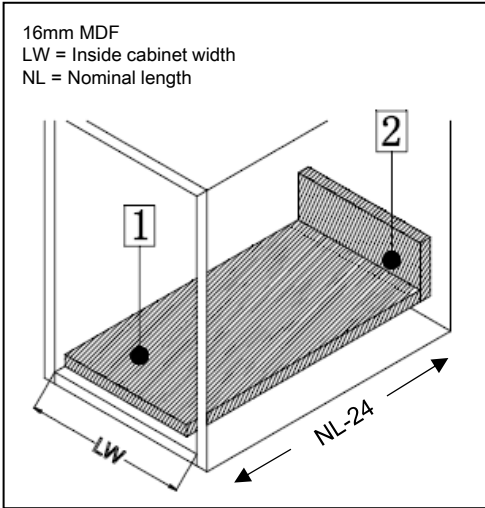
③ Rear bracket L&R		
	White	QT120RB20
	Charcoal grey	QT120RB10

④ Front fixing brackets left & right		
Screw on	With plastic dowels	With expandable dowels
		
ZFB001	ZFB001D	ZFB001E

Installation dimensions (mm)

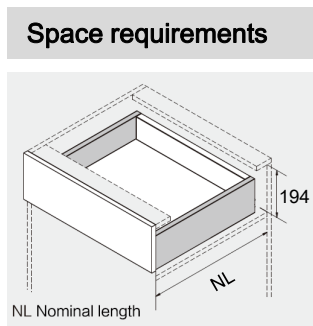


Drawer back and bottom dimensions (mm)

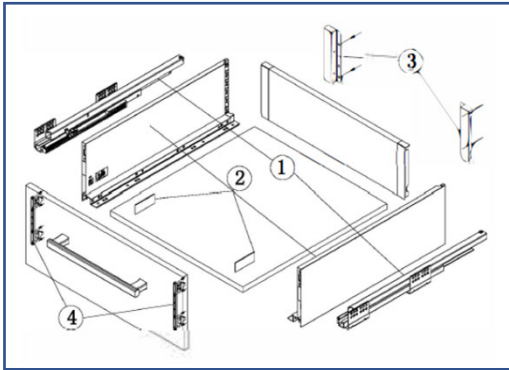




- ❑ Full extension synchronized slides;
- ❑ Thin drawer side 13mm, exterior height 171mm
- ❑ Color: White, charcoal grey
- ❑ Quick and easy installation
- ❑ Soft & silent movements during drawer opening and closing
- ❑ Two-dimensional adjustment at drawer front
- ❑ Loading capacity 35kg
** heavy duty 50kg is available

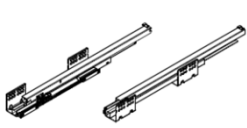
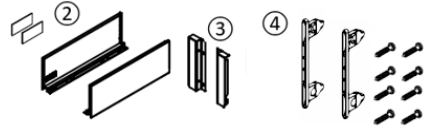
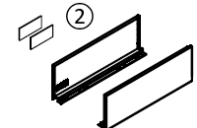


Order information




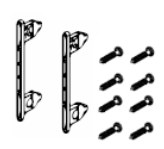
Nominal length (mm)	Drawer kit package (①②③④)	
	Charcoal grey	Matt white
270	101QT17127010	101QT17127020
300	101QT17130010	101QT17130020
350	101QT17135010	101QT17135020
400	101QT17140010	101QT17140020
450	101QT17145010	101QT17145020
500	101QT17150010	101QT17150020
550	101QT17155010	101QT17155020

Industrial pack / Distribution pack

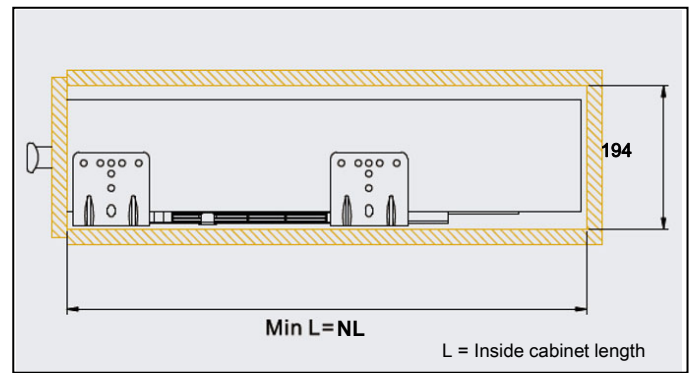
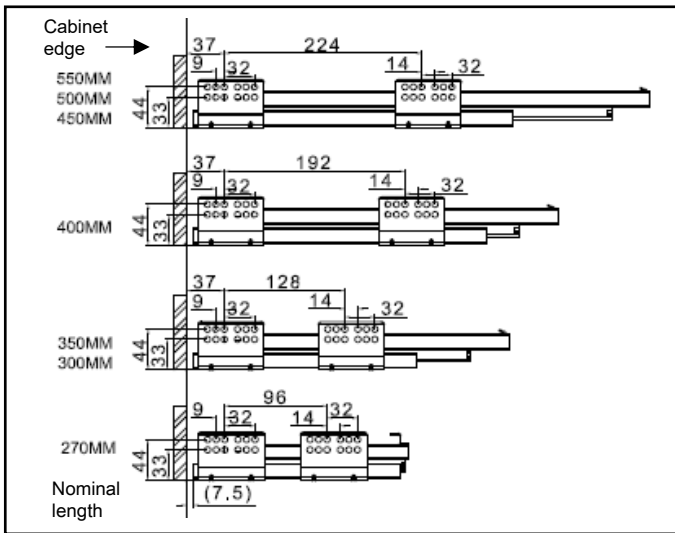
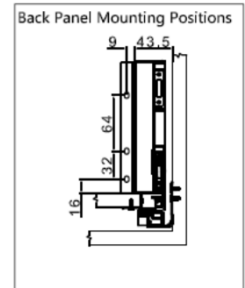
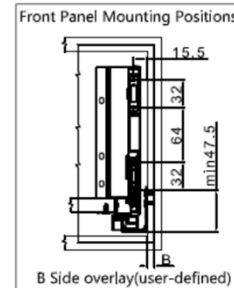
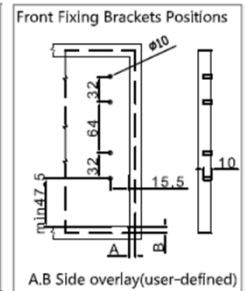
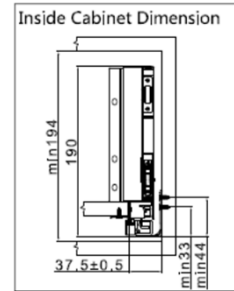
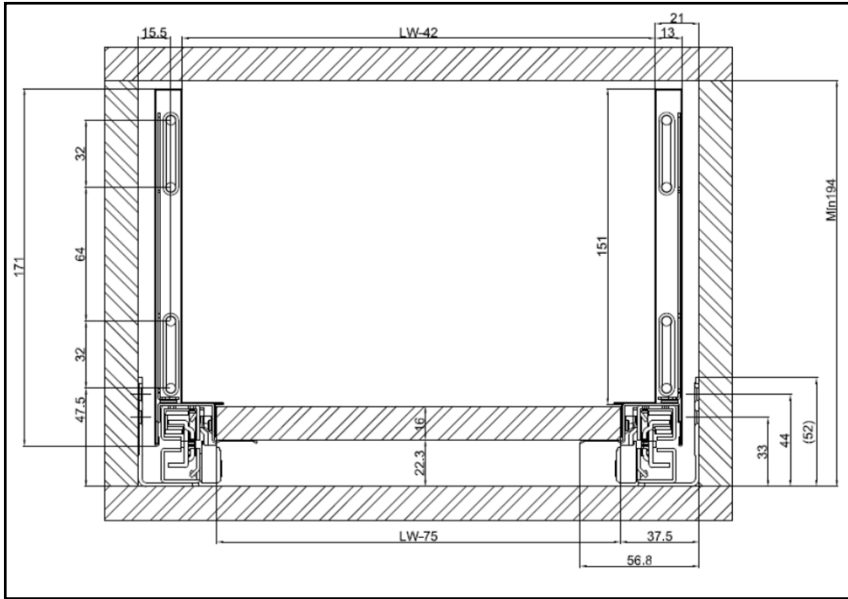
① Cabinet members left & right		② Drawer sides left & right with cover caps (customer branding / blank) ③ Rear bracket ④ Screw-on XL front fixing brackets (left & right)				
						
Nominal length (mm)	Cabinet set ①	Nominal length (mm)	Drawer side set - ② ③ ④		Drawer wall only ②	
			Matt white	Charcoal grey	Matt white	Charcoal grey
270	101S270	270	101QD17127020	101QD17127010	101QW17127020	101QW17127010
300	101S300	300	101QD17130020	101QD17130010	101QW17130020	101QW17130010
350	101S350	350	101QD17135020	101QD17135010	101QW17135020	101QW17135010
400	101S400	400	101QD17140020	101QD17140010	101QW17140020	101QW17140010
450	101S450	450	101QD17145020	101QD17145010	101QW17145020	101QW17145010
500	101S500	500	101QD17150020	101QD17150010	101QW17150020	101QW17150010
550	101S550	550	101QD17155020	101QD17155010	101QW17155020	101QW17155010

* Add "D" or "P" at the end of the item no. for front fixing brackets with dowels or expandable dowels respectively.

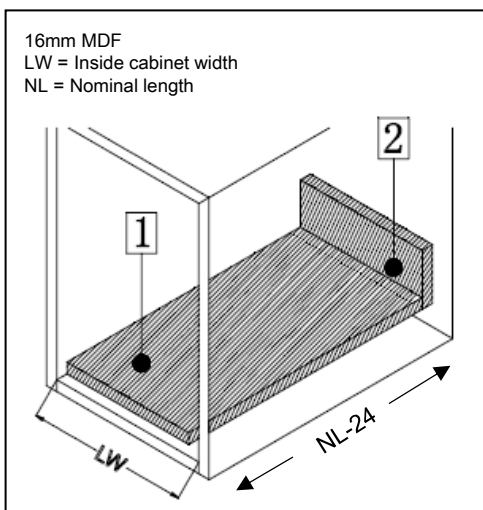
③ Rear bracket L&R		
	White	QT171RB20
	Charcoal grey	QT171RB10

④ XL Front fixing brackets L&R		
	Screw on	ZFB002
	w/ plastic dowels	ZFB002D
	w/ expandable dowels	ZFB002E

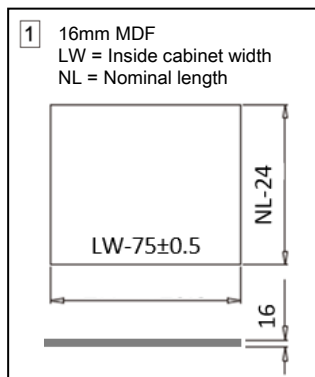
Installation dimensions (mm)



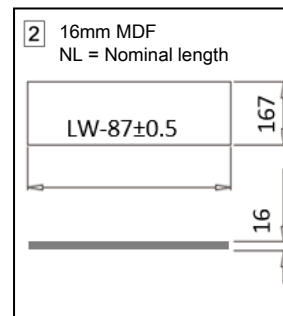
Drawer back and bottom dimensions



16mm MDF
LW = Inside cabinet width
NL = Nominal length



1 16mm MDF
LW = Inside cabinet width
NL = Nominal length

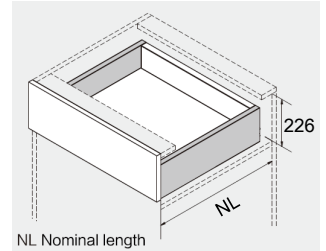


2 16mm MDF
NL = Nominal length

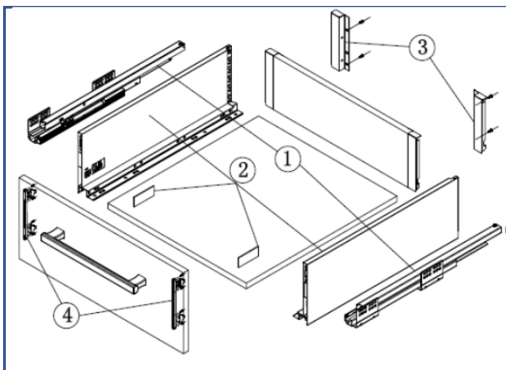


- ❑ Full extension synchronized slides;
 - ❑ Thin drawer side 13mm, exterior height 203mm
 - ❑ Color: White, charcoal grey
 - ❑ Quick and east installation
 - ❑ Soft & silent movements during drawer opening and closing
 - ❑ Two-dimensional adjustment at drawer front
 - ❑ Loading capacity 35kg
- ** heavy duty 50kg is available

Space requirements


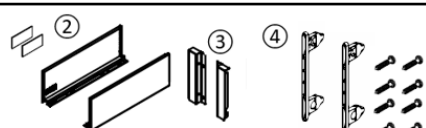
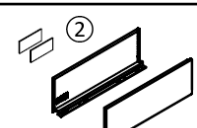



Order information

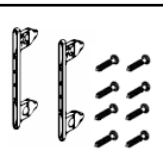


Nominal length (mm)	Drawer kit package (①②③④)	
	Charcoal grey	Matt white
270	101QT20327010	101QT20327020
300	101QT20330010	101QT20330020
350	101QT20335010	101QT20335020
400	101QT20340010	101QT20340020
450	101QT20345010	101QT20345020
500	101QT20350010	101QT20350020
550	101QT20355010	101QT20355020

Industrial pack / Distribution pack

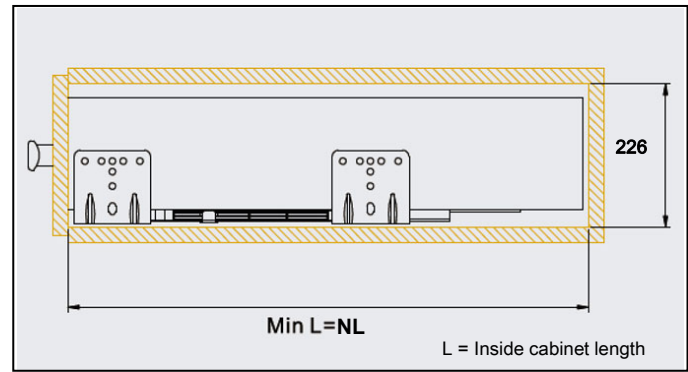
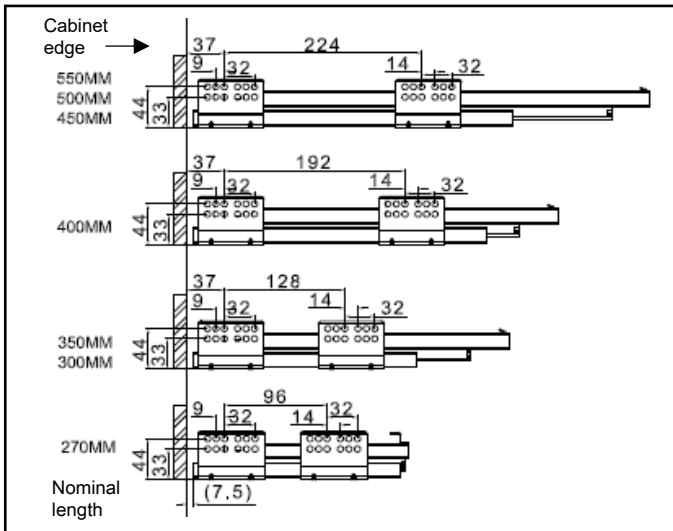
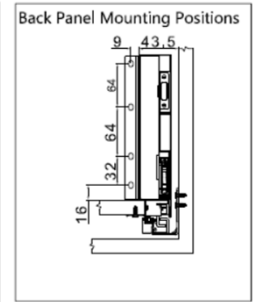
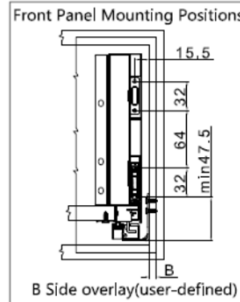
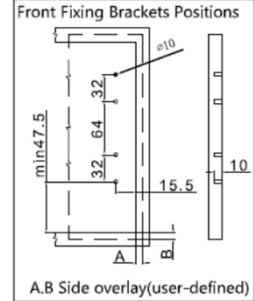
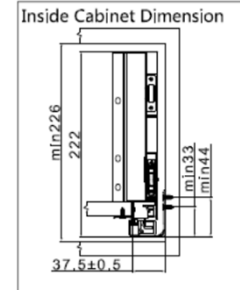
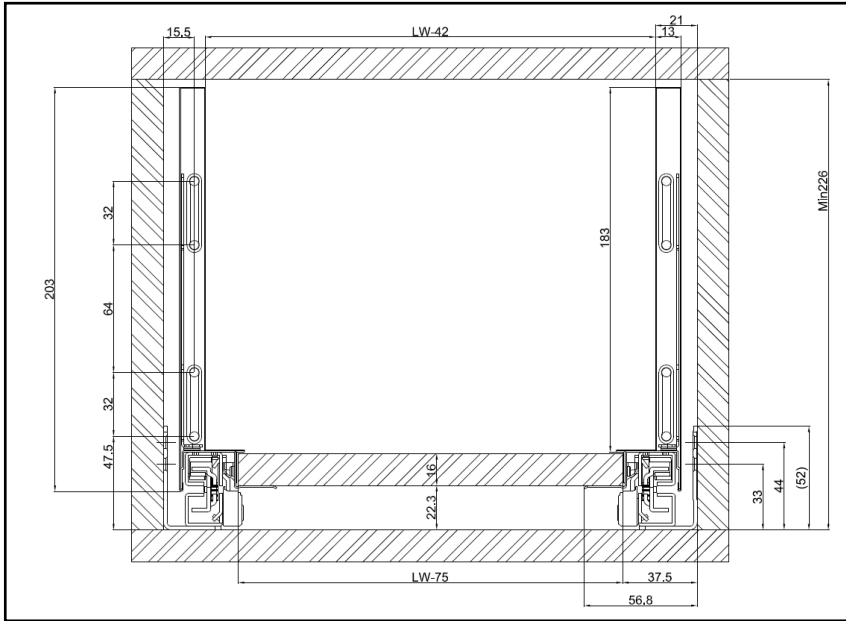
① Cabinet members left & right		② Drawer sides left & right with cover caps (customer branding / blank)				③ Rear bracket ④ Screw-on XL front fixing brackets (left & right)	
							
Nominal length (mm)	Cabinet set ①	Nominal length (mm)	Drawer side set - ② ③ ④		Drawer wall only ②		
			Matt white	Charcoal grey	Matt white	Charcoal grey	
270	101S270	270	101QD20327020	101QD20327010	101QW20327020	101QW20327010	
300	101S300	300	101QD20330020	101QD20330010	101QW20330020	101QW20330010	
350	101S350	350	101QD20335020	101QD20335010	101QW20335020	101QW20335010	
400	101S400	400	101QD20340020	101QD20340010	101QW20340020	101QW20340010	
450	101S450	450	101QD20345020	101QD20345010	101QW20345020	101QW20345010	
500	101S500	500	101QD20350020	101QD20350010	101QW20350020	101QW20350010	
550	101S550	550	101QD20355020	101QD20355010	101QW20355020	101QW20355010	
* Add "D" or "P" at the end of the item no. for front fixing brackets with dowels or expandable dowels respectively.							

③ Rear bracket L&R		
	White	QT203RB20
	Charcoal grey	QT203RB10

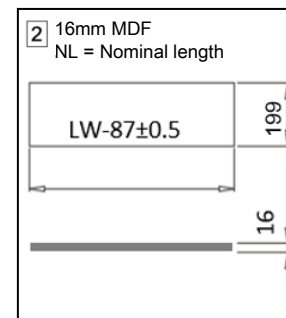
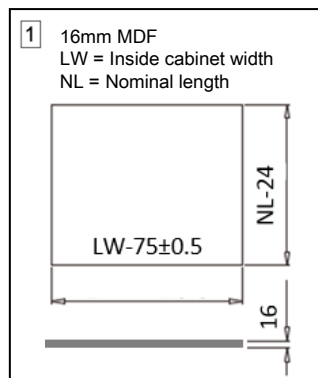
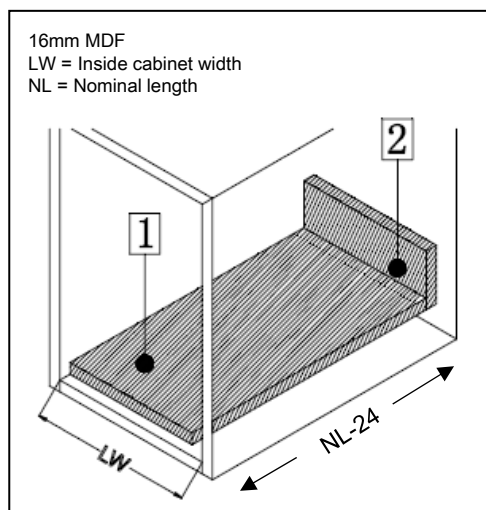
④ XL Front fixing brackets L&R		
	Screw on	ZFB002
	w/ plastic dowels	ZFB002D
	w/ expandable dowels	ZFB002E



Installation dimensions (mm)



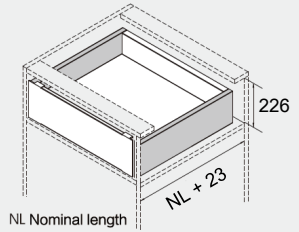
Drawer back and bottom dimensions



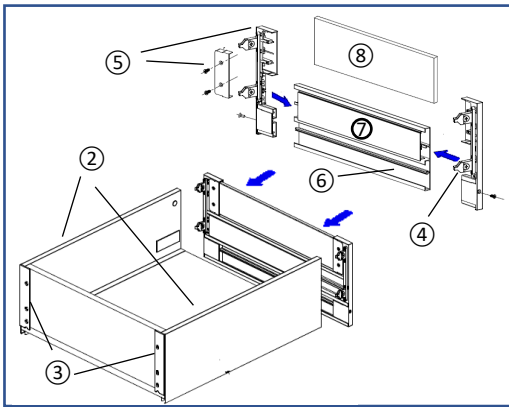


- ❑ Full extension synchronized slides;
 - ❑ Thin drawer side 13mm, exterior height 203mm
 - ❑ Color: White, charcoal grey
 - ❑ Quick and east installation
 - ❑ Soft & silent movements during drawer opening and closing
 - ❑ Two-dimensional adjustment at drawer front
 - ❑ Loading capacity 35kg
- ** heavy duty 50kg is available

Space requirements

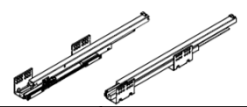
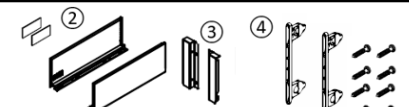
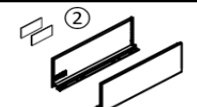



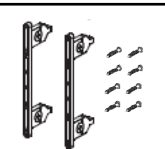
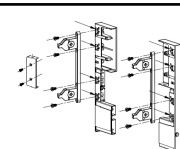
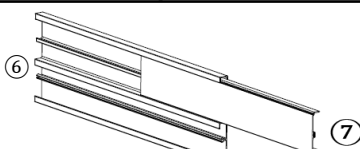
Order information



Nominal length (mm)	Drawer kit package (①②③④)	
	Charcoal grey	Matt white
270	101QT20327010	101QT20327020
300	101QT20330010	101QT20330020
350	101QT20335010	101QT20335020
400	101QT20340010	101QT20340020
450	101QT20345010	101QT20345020
500	101QT20350010	101QT20350020
550	101QT20355010	101QT20355020

Industrial pack / Distribution pack

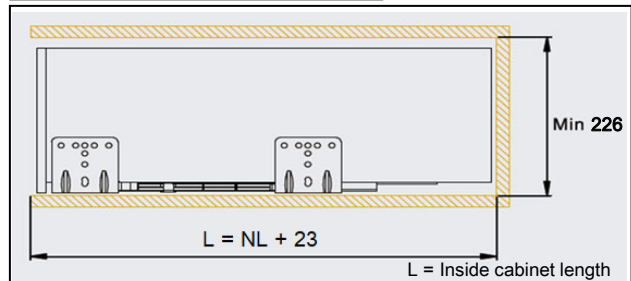
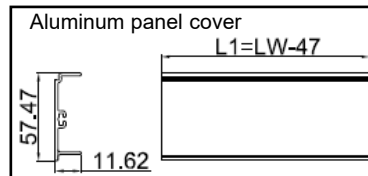
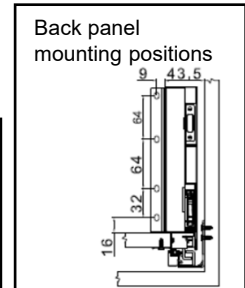
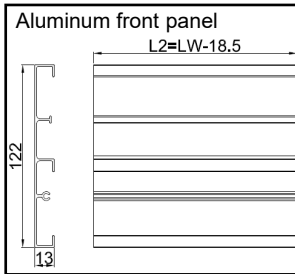
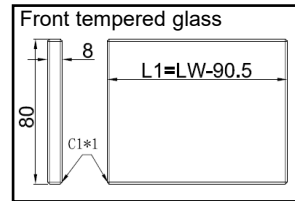
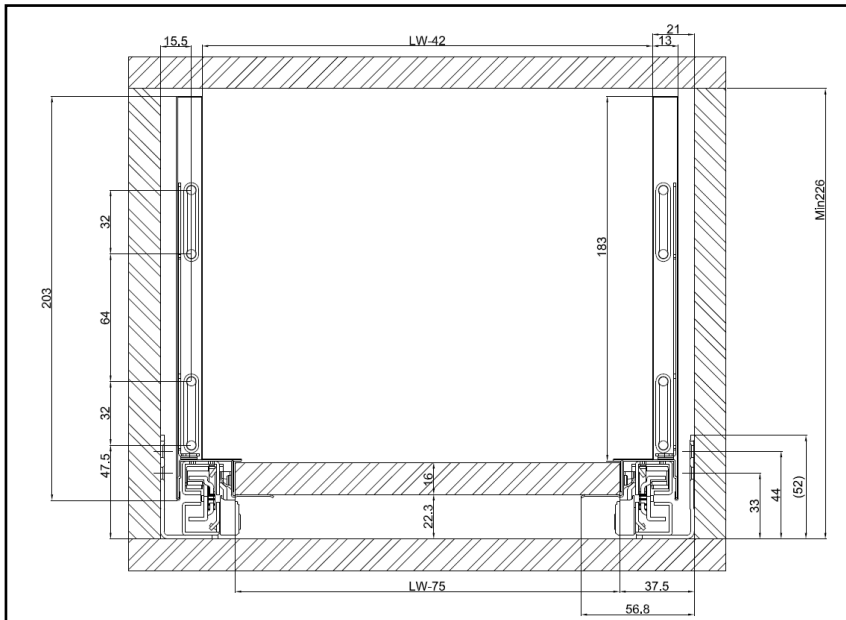
① Cabinet members left & right		② Drawer sides left & right with cover caps (customer branding / blank)				
						
Nominal length (mm)	Cabinet set ①	Nominal length (mm)	Drawer side set ② ③ ④		Drawer wall only ②	
			Matt white	Charcoal grey	Matt white	Charcoal grey
270	101S270	270	101QD20327020	101QD20327010	101QW20327020	101QW20327010
300	101S300	300	101QD20330020	101QD20330010	101QW20330020	101QW20330010
350	101S350	350	101QD20335020	101QD20335010	101QW20335020	101QW20335010
400	101S400	400	101QD20340020	101QD20340010	101QW20340020	101QW20340010
450	101S450	450	101QD20345020	101QD20345010	101QW20345020	101QW20345010
500	101S500	500	101QD20350020	101QD20350010	101QW20350020	101QW20350010
550	101S550	550	101QD20355020	101QD20355010	101QW20355020	101QW20355010

③ Rear bracket L & R		④ XL Front fixing brackets L&R		⑤ Front panel brackets-G and covers L&R		⑥ Aluminum front panel		
								
White		ZFB002		White	FPB00220		⑥	⑦
QT203RB20				Grey	FPB00210	White	FP120020	PC120020
Charcoal grey						Grey	FP120010	PC120010
QT203RB10								

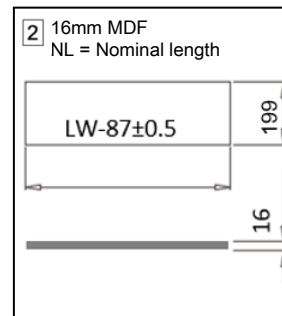
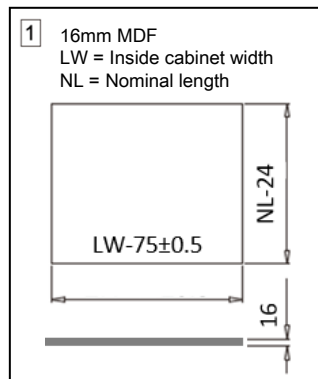
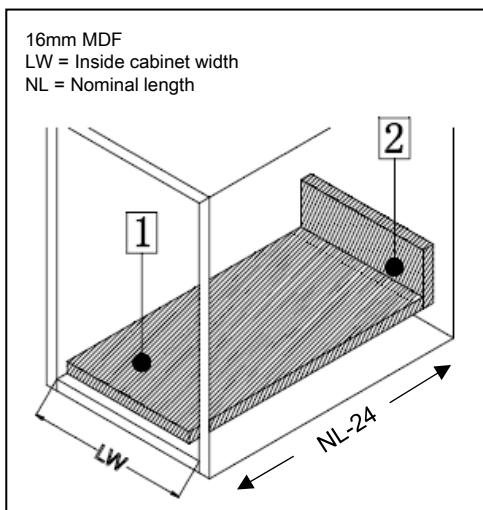
* ⑤ Front tempered glass can be sourced separately



Installation dimensions (mm)



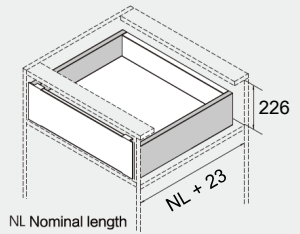
Drawer back and bottom dimensions



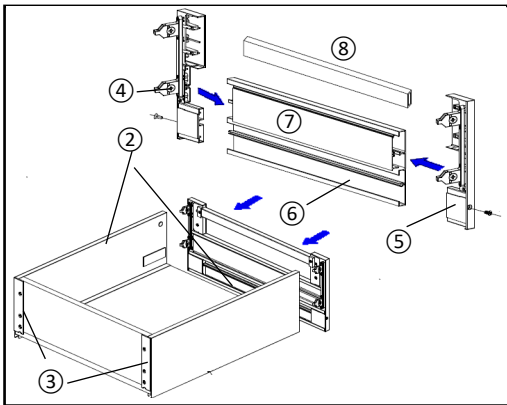


- ❑ Full extension synchronized slides;
- ❑ Thin drawer side 13mm, exterior height 203mm
- ❑ Color: White, charcoal grey
- ❑ Quick and east installation
- ❑ Soft & silent movements during drawer opening and closing
- ❑ Two-dimensional adjustment at drawer front
- ❑ Loading capacity 35kg
** heavy duty 50kg is available

Space requirements



Order information



Nominal length (mm)	Drawer kit package (①②③④)	
	Charcoal grey	Matt white
270	101QT20327010	101QT20327020
300	101QT20330010	101QT20330020
350	101QT20335010	101QT20335020
400	101QT20340010	101QT20340020
450	101QT20345010	101QT20345020
500	101QT20350010	101QT20350020
550	101QT20355010	101QT20355020

Industrial pack / Distribution pack

① Cabinet members left & right		② Drawer sides left & right with cover caps (customer branding / blank) ③ Rear bracket ④ Screw-on XL-front fixing brackets left & right				
Nominal length (mm)	Cabinet set ①	Nominal length (mm)	Drawer side set - ② ③ ④		Drawer wall only ②	
			Matt white	Charcoal grey	Matt white	Charcoal grey
270	101S270	270	101QD20327020	101QD20327010	101QW20327020	101QW20327010
300	101S300	300	101QD20330020	101QD20330010	101QW20330020	101QW20330010
350	101S350	350	101QD20335020	101QD20335010	101QW20335020	101QW20335010
400	101S400	400	101QD20340020	101QD20340010	101QW20340020	101QW20340010
450	101S450	450	101QD20345020	101QD20345010	101QW20345020	101QW20345010
500	101S500	500	101QD20350020	101QD20350010	101QW20350020	101QW20350010
550	101S550	550	101QD20355020	101QD20355010	101QW20355020	101QW20355010

③ Rear bracket L & R	
White	
QT203RB20	
Charcoal grey	
QT203RB10	

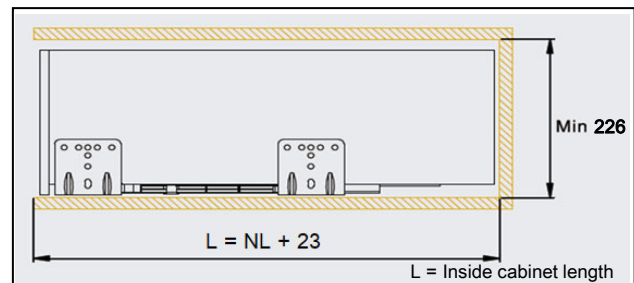
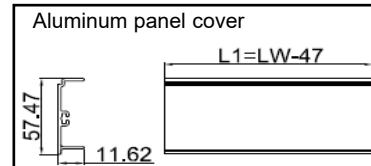
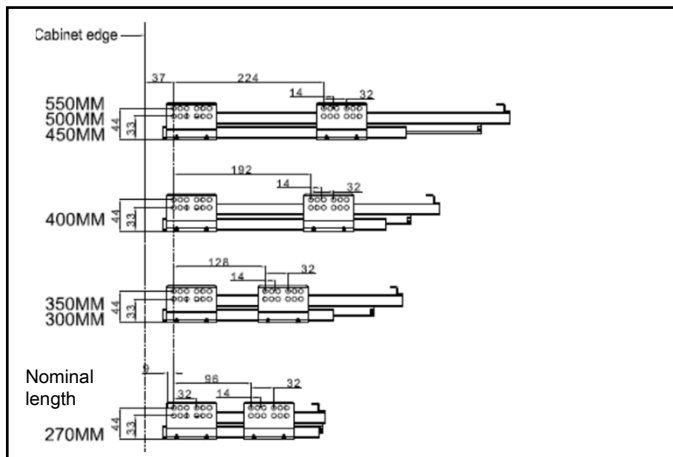
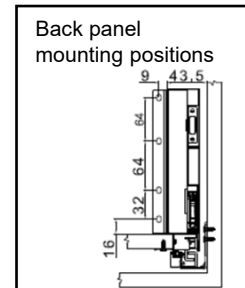
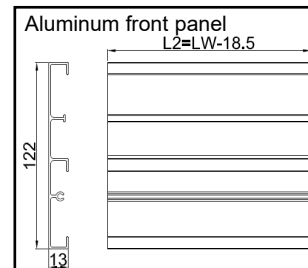
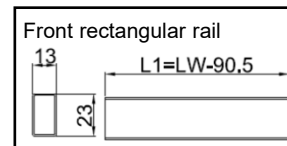
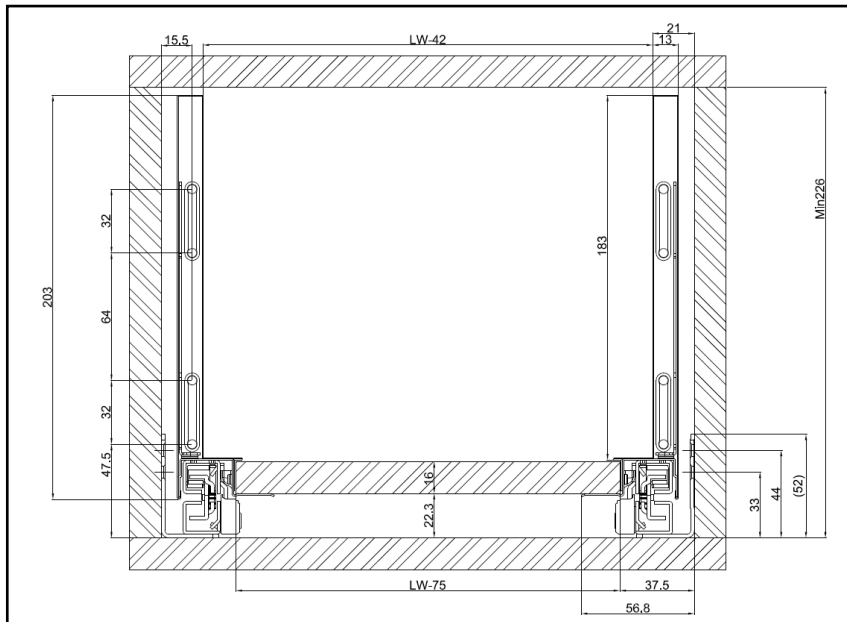
④ XL Front fixing brackets L&R	
ZFB002	

⑤ Front panel brackets-R and covers L&R	
White	FPB00320
Grey	FPB00310

⑥ Aluminum front panel ⑦ Aluminum panel cover		
	⑥	⑦
white	FP120020	PC120020
Grey	FP120010	PC120010

⑧ Front square rail	
White	Grey
FR120020	FR120010

Installation dimensions (mm)



Drawer back and bottom dimensions

