

601S Partial extension

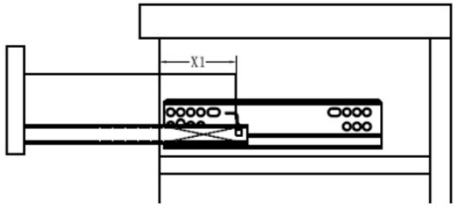


- ❑ Partial extension synchronized slides – effortless soft & silent movements
- ❑ NO “click” when the drawer is completely opened
- ❑ Tool free assembly and removal drawer
- ❑ Height adjustment on front locking device 0~+3mm
- ❑ Loading capacity 25kgs

Order information

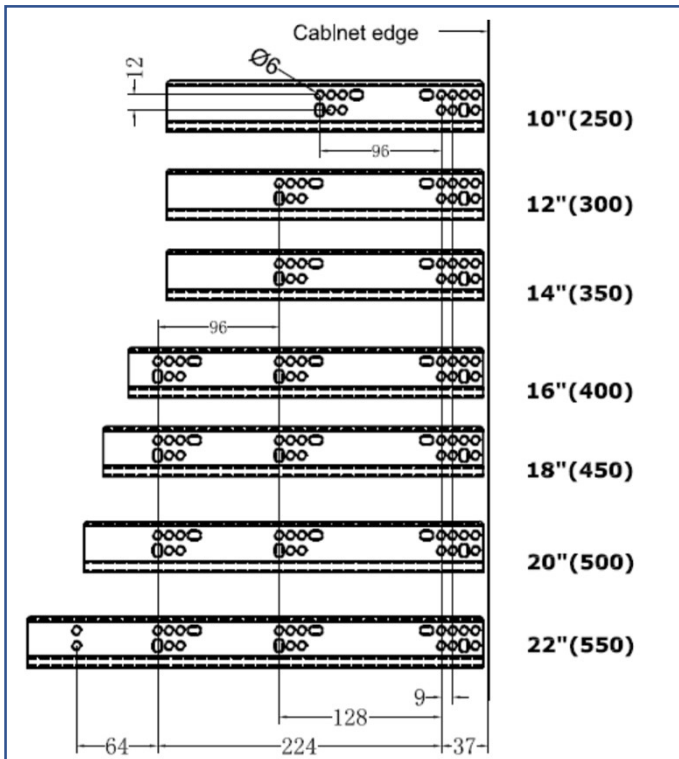
Nominal length (mm)	Model no.
250	601S250C
300	601S300C
350	601S350C
400	601S400C
450	601S450C
500	601S500C
550	601S550C

Extension loss (mm)

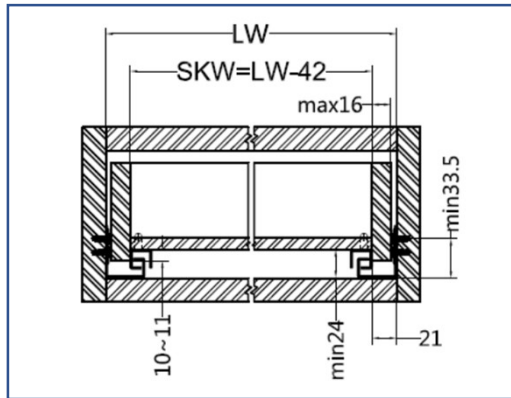


NL(mm)	250	300	350	400	450	500	550
X1(mm)	88	88	88	124	124	142	142

Cabinet profile – drilling positions



Installation dimensions (mm)

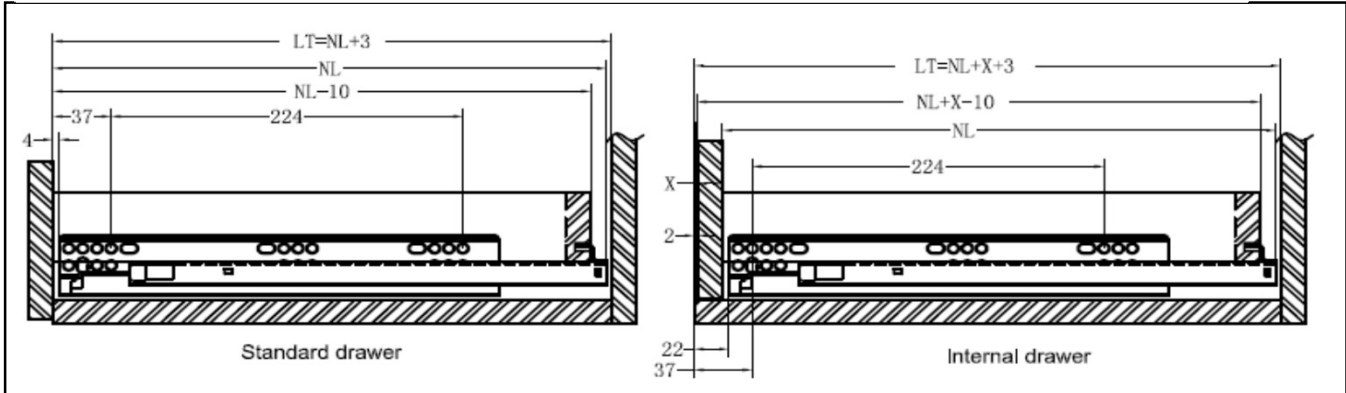




601S Partial extension

Installation dimensions

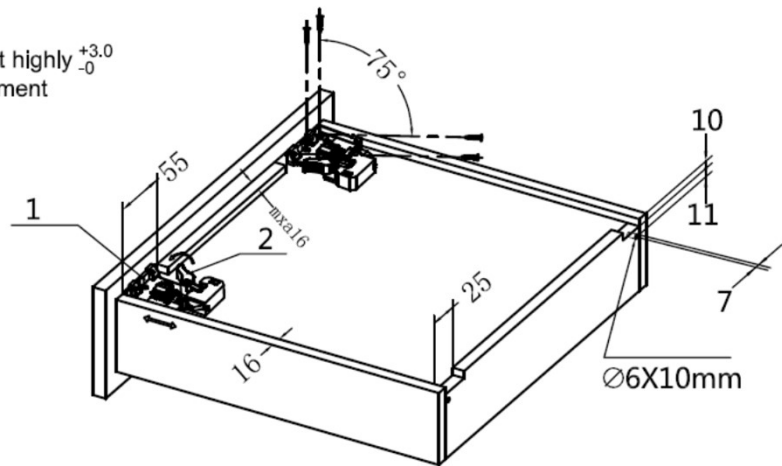
NL= Nominal Slide Length LT= Internal Cabinet Depth Internal drawer $LT_{min} = NL + X + 3$ Standard drawer $LT_{min} = NL + 3$



Drawer box specifications

Drawer size and boring(mm)

Button 1: Push and pull without tools adjustment highly $+3.0$
 Button 2: Rotate the handle without tools adjustment to easily remove the drawer!



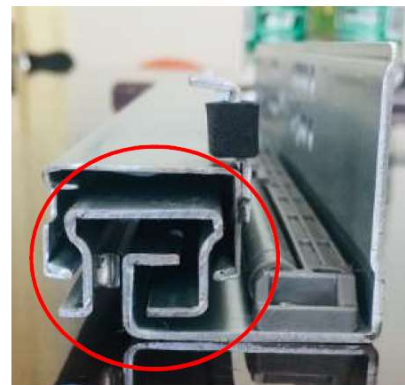
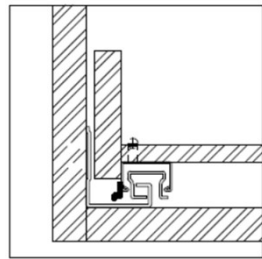
501S Full extension



- ❑ Full extension slides – effortless soft & silent movements
- ❑ NO “click” when the drawer is completely opened
- ❑ Tool free assembly and removal drawer
- ❑ Height adjustment on front locking device 0~+3mm
- ❑ Loading capacity 35kg

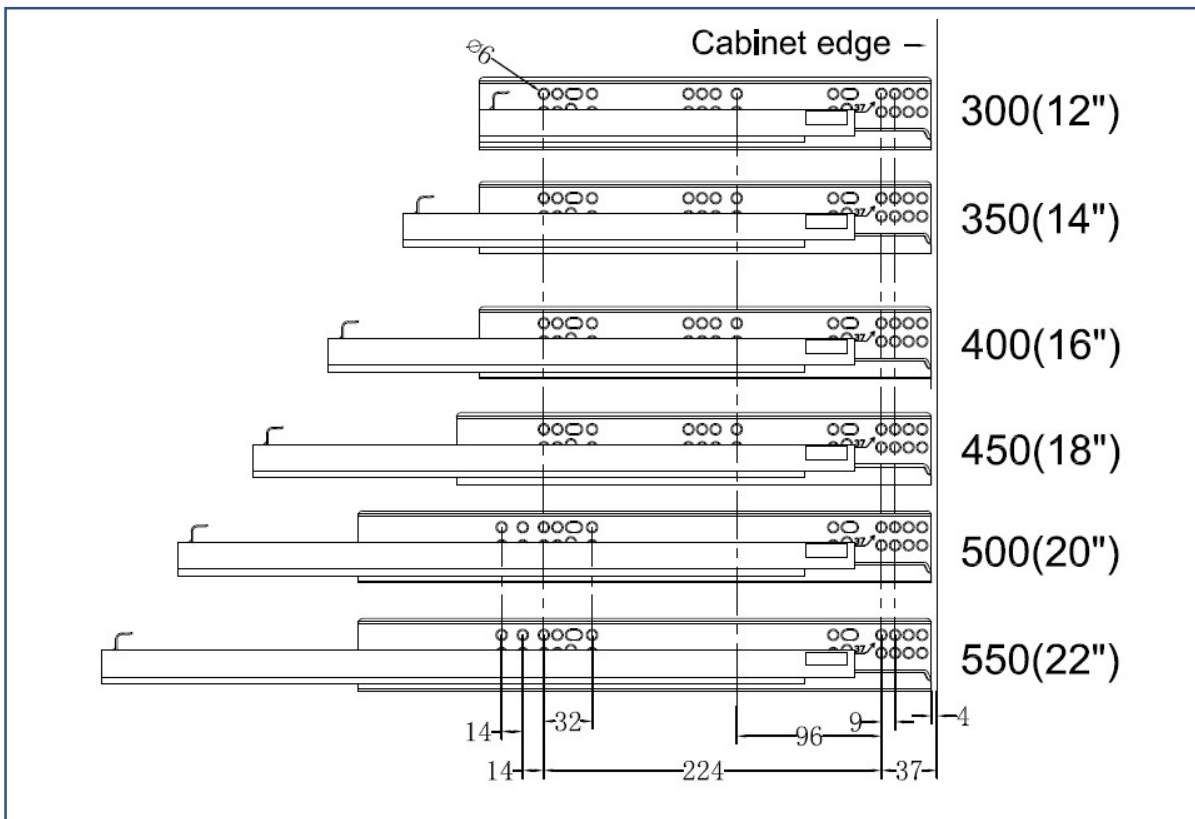
Order information

Nominal length (mm)	Model no.
250	501S250C
300	501S300C
350	501S350C
400	501S400C
450	501S450C
500	501S500C
550	501S550C



- Special Ω shape of the middle member provides high stabilities with less shaking

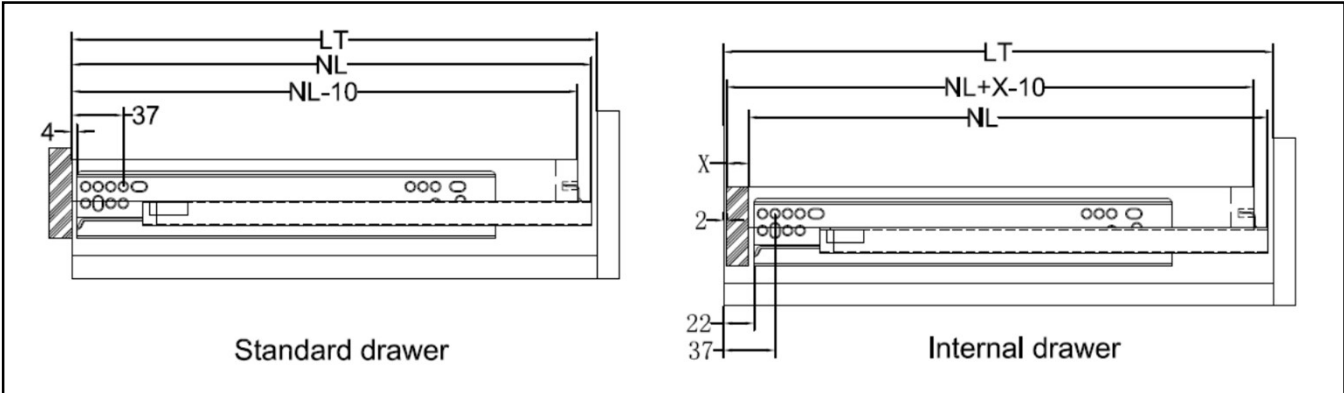
Cabinet profile – drilling positions



501S Full extension

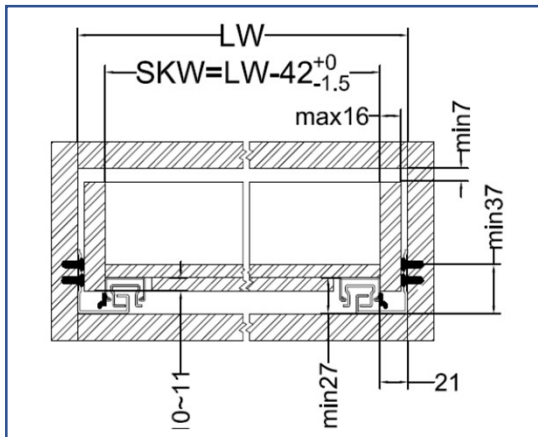
Installation dimensions

NL= Nominal Slide Length LT= Internal Cabinet Depth Internal drawer $L_{min} = NL + X + 3$ Standard drawer $L_{min} = NL + 3$



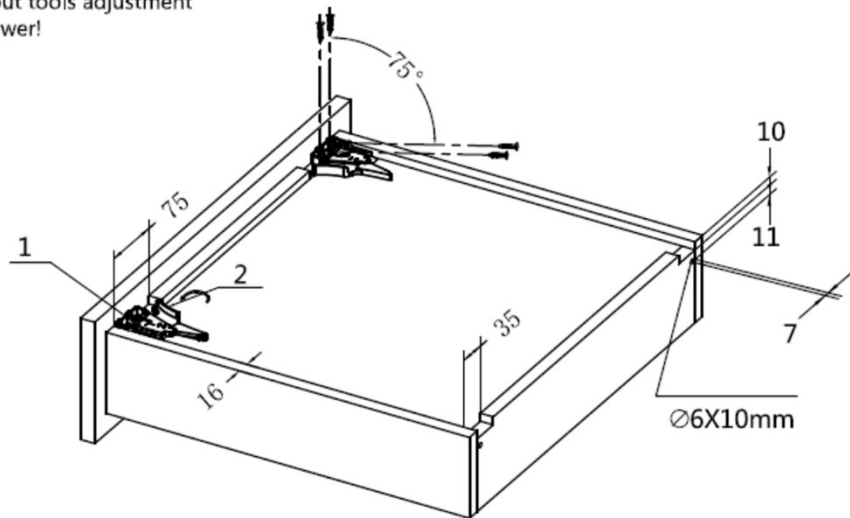
Installation dimensions (mm)

SKW=Internal Drawer Width LW=Internal Cabinet Width



Drawer box specifications

Button 1: Push and pull without tools adjustment highly $+3.0$
 Button 2: Rotate the handle without tools adjustment to easily remove the drawer!



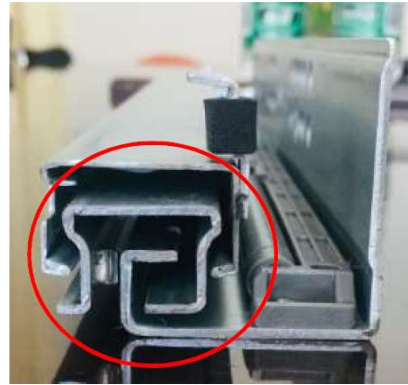
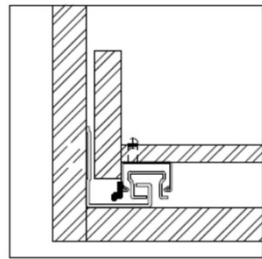
205U Full extension



- ❑ Full extension slides – effortless soft & silent movements
- ❑ NO “click” when the drawer is completely opened
- ❑ Front locking device with *3D adjustments*
- ❑ Tool free assembly and removal drawer
- ❑ Height adjustment on front locking device 0~+3mm
- ❑ Loading capacity 35kg

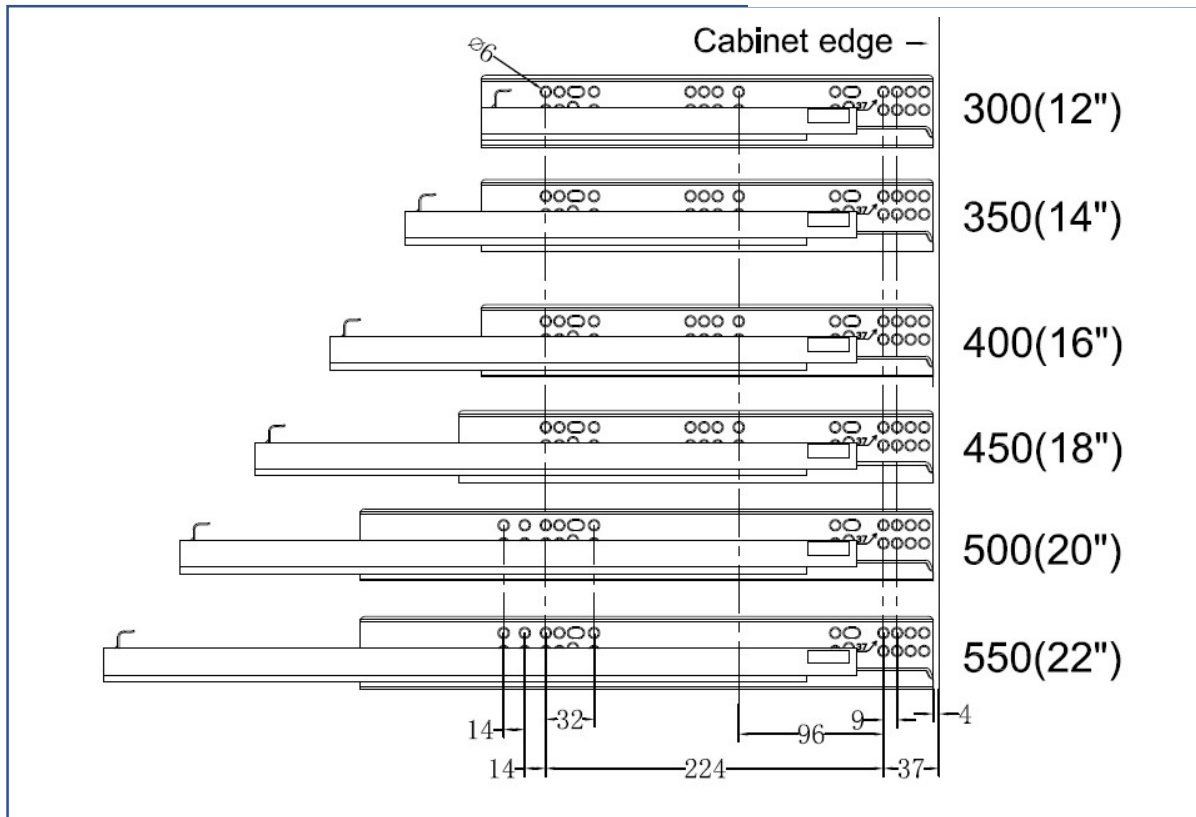
Order information

Nominal length (mm)	Model no.
250	205U250C
300	205U300C
350	205U350C
400	205U400C
450	205U450C
500	205U500C
550	205U550C



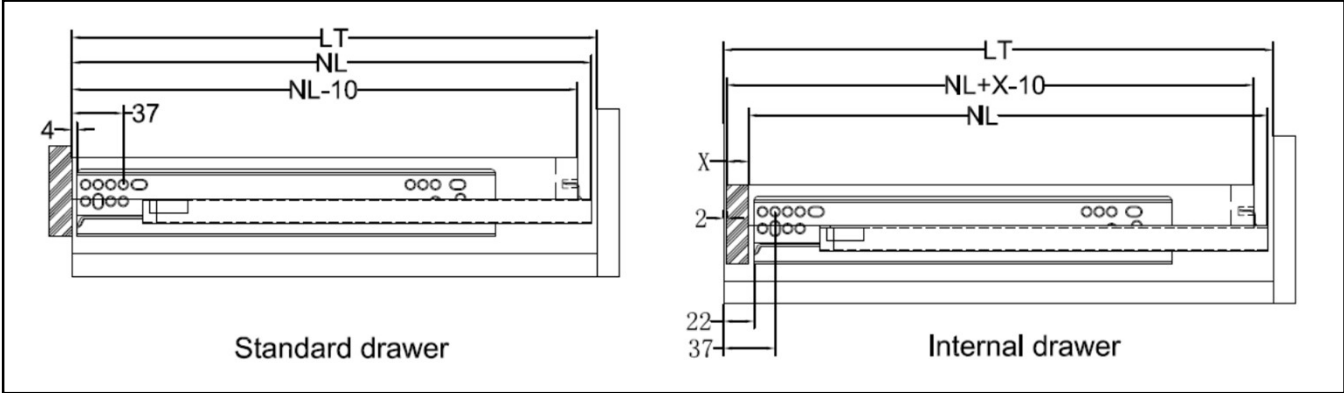
- Special Ω shape of the middle member provides high stabilities with less shaking

Cabinet profile – drilling positions



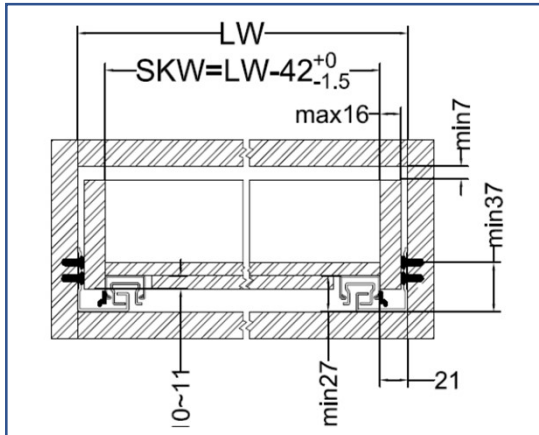
Installation dimensions

NL= Nominal Slide Length LT= Internal Cabinet Depth Internal drawer $L_{min} = NL + X + 3$ Standard drawer $L_{min} = NL + 3$



Installation dimensions (mm)

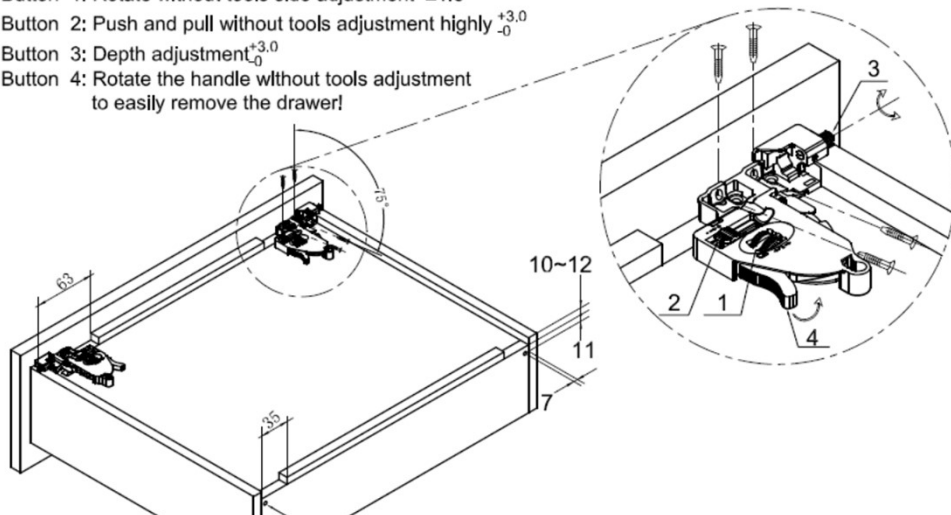
SKW=Internal Drawer Width LW=Internal Cabinet Width



Drawer box specifications

Drawer size and boring(mm)

- Button 1: Rotate without tools side adjustment ± 1.5
- Button 2: Push and pull without tools adjustment highly $^{+3.0}_{-0}$
- Button 3: Depth adjustment $^{+3.0}_{-0}$
- Button 4: Rotate the handle without tools adjustment to easily remove the drawer!

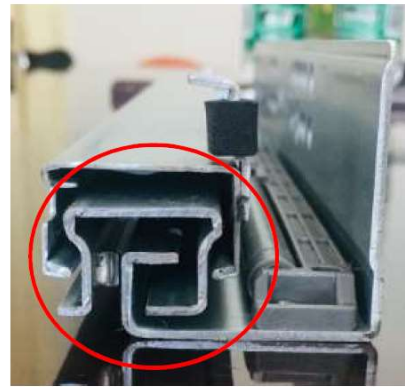
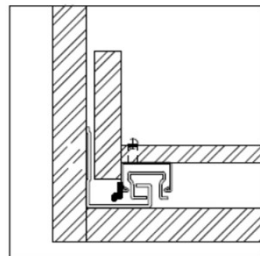




- ❑ Full extension slides – effortless soft & silent movements
- ❑ NO “click” during the opening and closing movements.
- ❑ Front locking device with **3D adjustments**
- ❑ Tool free assembly and removal drawer
- ❑ Height adjustment on front locking device 0~+3mm
- ❑ Loading capacity 35kg

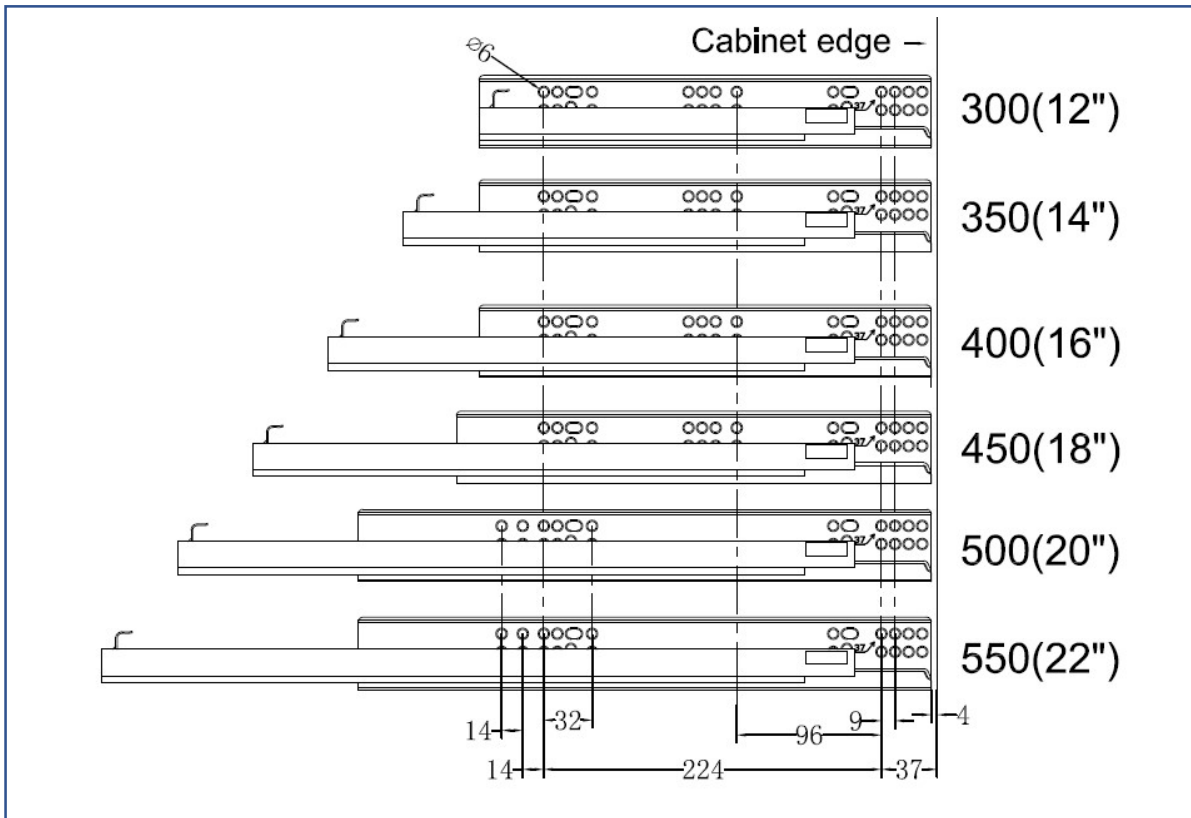
Order information

Nominal length (mm)	Model no.
250	208S250C
300	208S300C
350	208S350C
400	208S400C
450	208S450C
500	208S500C
550	208S550C



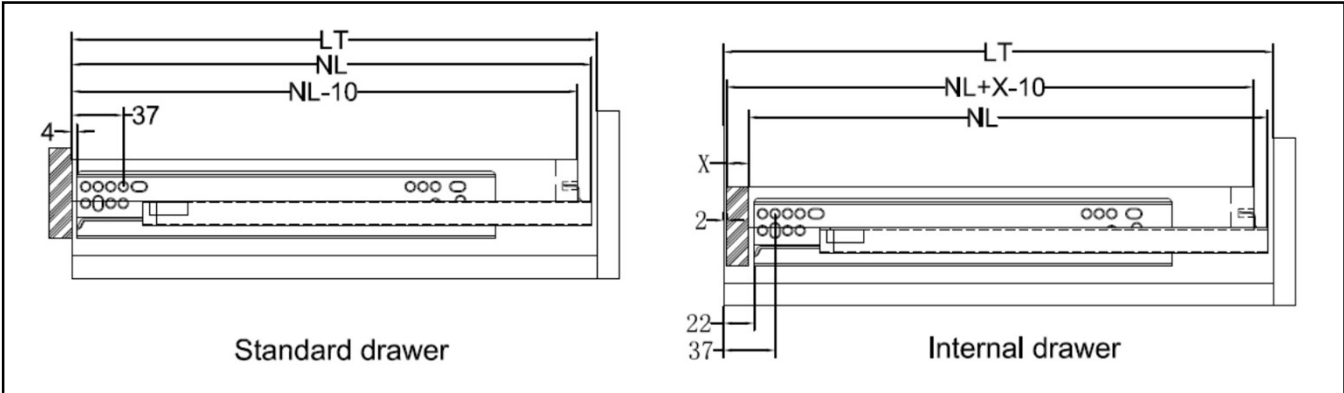
- Special Ω shape of the middle member provides high stabilities with less shaking

Cabinet profile – drilling positions



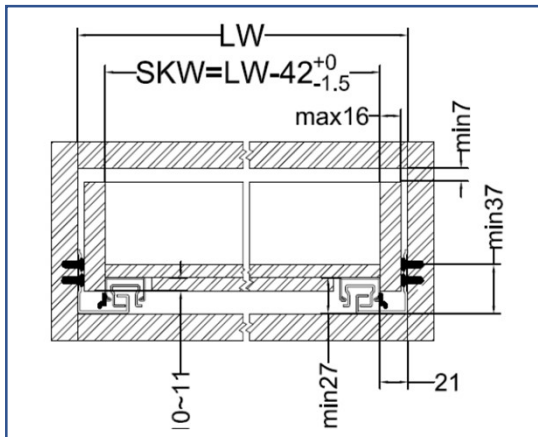
Installation dimensions

NL= Nominal Slide Length LT= Internal Cabinet Depth Internal drawer $L_{min} = NL + X + 3$ Standard drawer LT $_{min} = NL + 3$



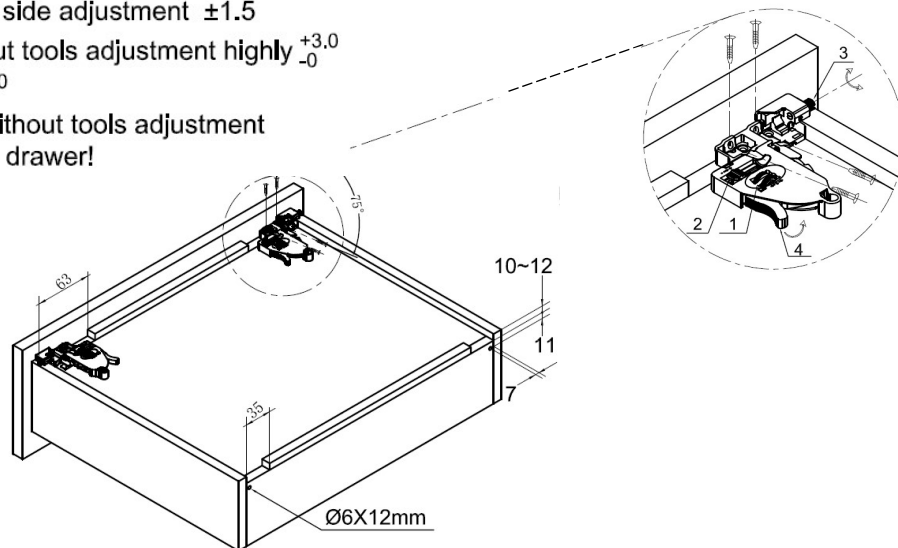
Installation dimensions (mm)

SKW=Internal Drawer Width LW=Internal Cabinet Width



Drawer box specifications

- Button 1: Rotate without tools side adjustment ± 1.5
- Button 2: Push and pull without tools adjustment highly $+3.0$ / -0
- Button 3: Depth adjustment $+3.0$ / -0
- Button 4: Rotate the handle without tools adjustment to easily remove the drawer!





Notes
