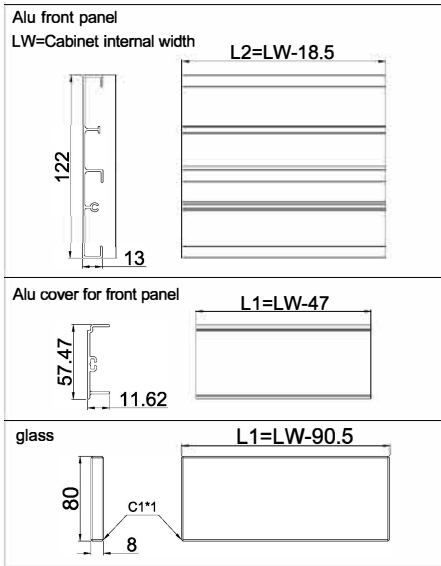
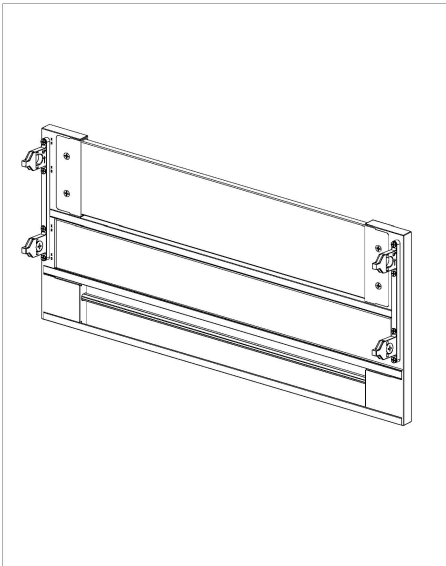
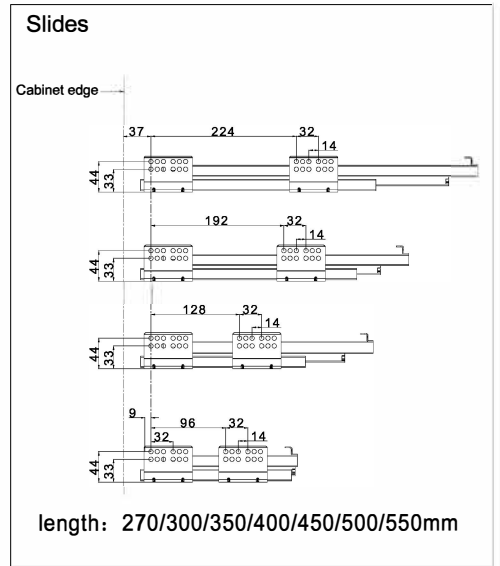


Assembly instruction - H203mm Inner drawerw/ front glass

* Cutting dimension of Alu front panel*

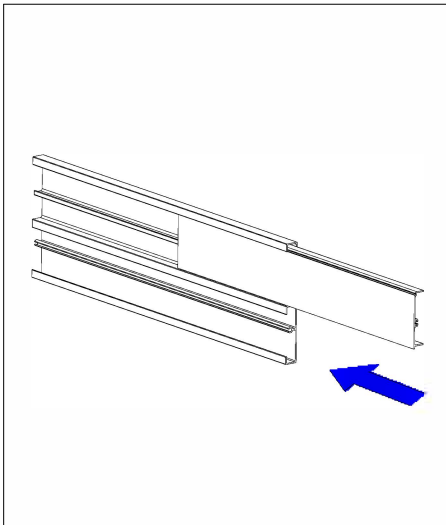


* Installation of slide*

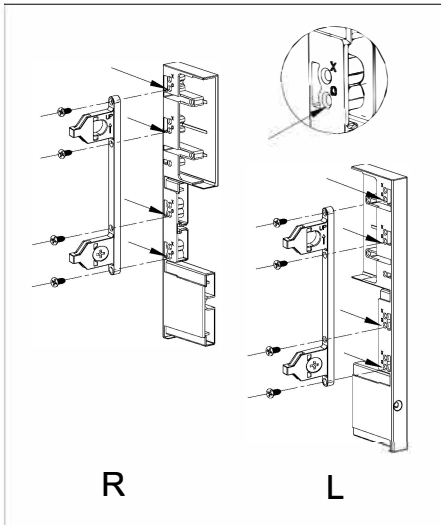


* Installation steps*

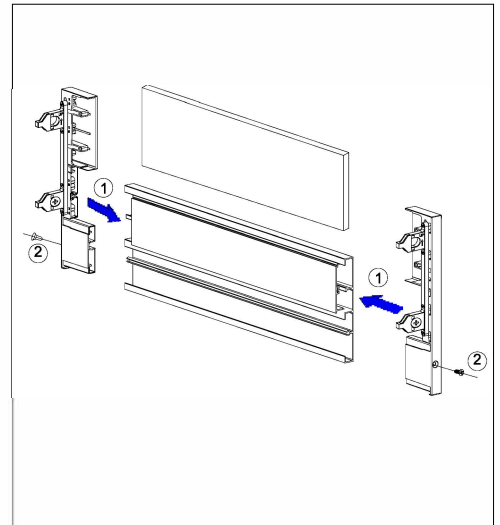
1. Install the Aluminum cover first



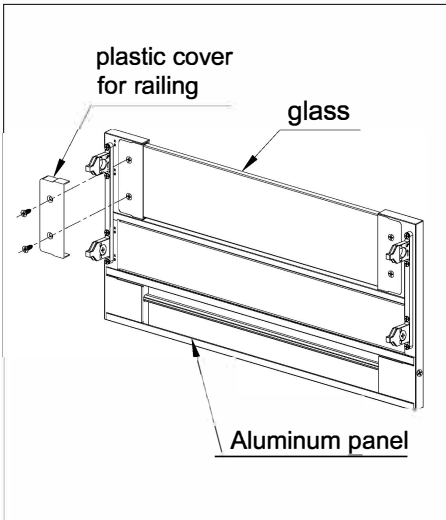
2. Choose the screw hole "Q" to fix the metal front bracket



3. Connect the inner drawer front connectors, front panel and glass front



4. Fix the plastic covers to the front brackets



5. Install the assembled inner drawer front with the drawer sides

