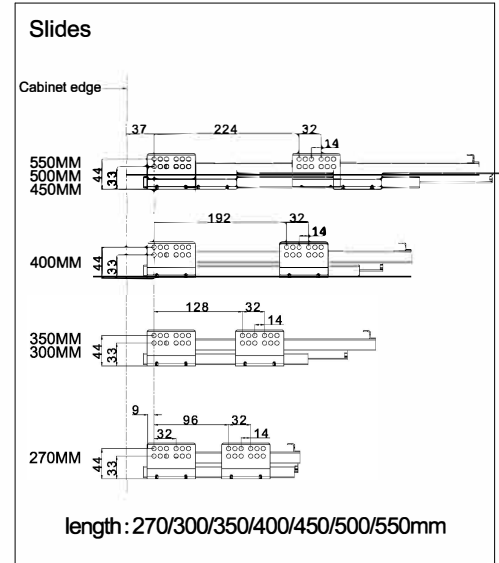
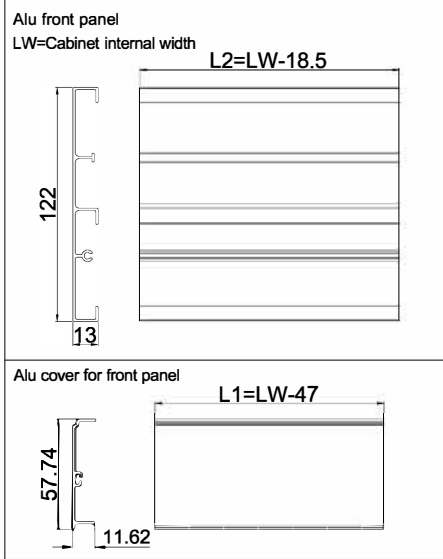
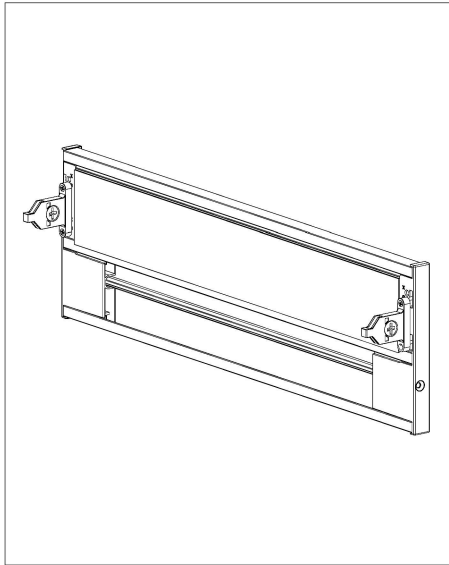


Assembly instruction - H88mm Inner drawer

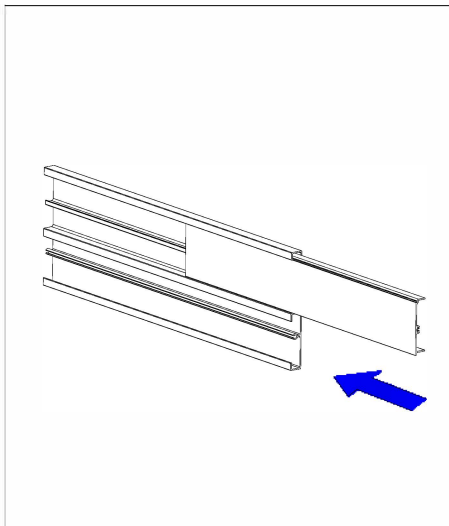
* Cutting dimension of Alu front panel*

* Installation of slide*

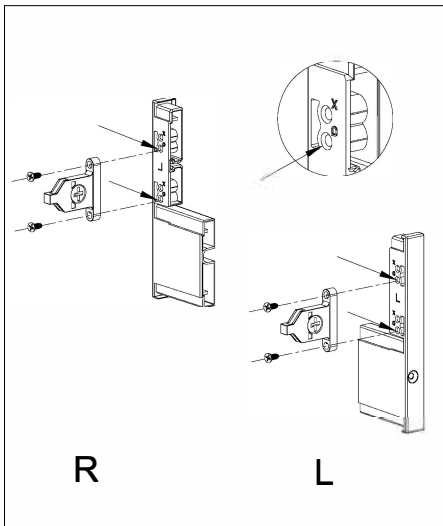


* Installation steps*

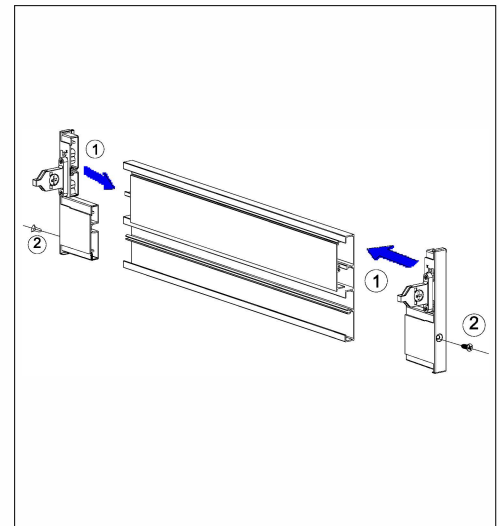
1. Install the Aluminum cover first



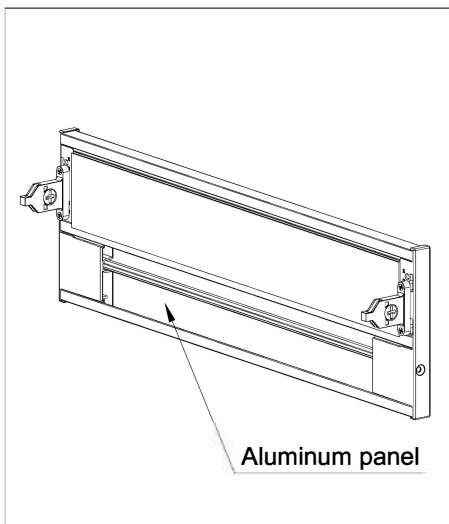
2. Choose the screw hole "Q" to fix the metal front bracket



3. Connect the inner drawer front connectors and front panel



4. Assembled inner drawer front



5. Install the inner drawer front with the drawer sides

