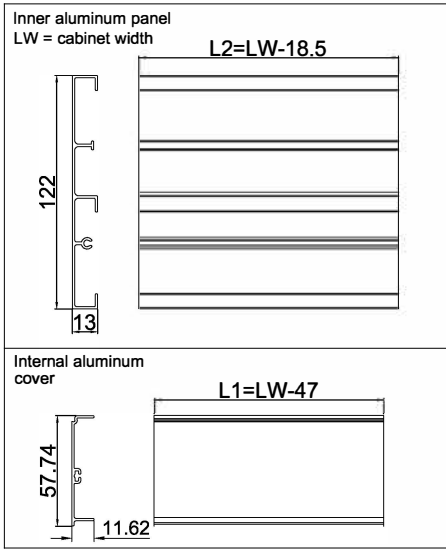
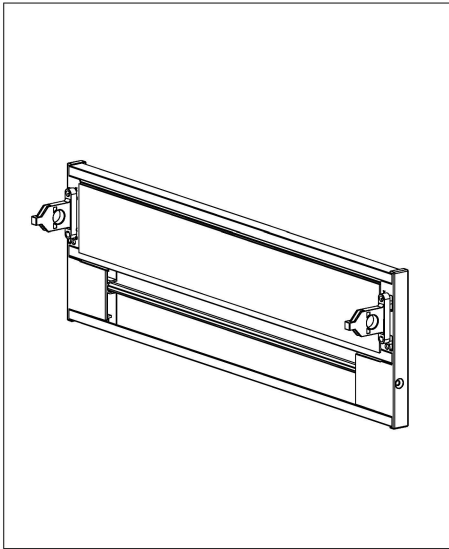
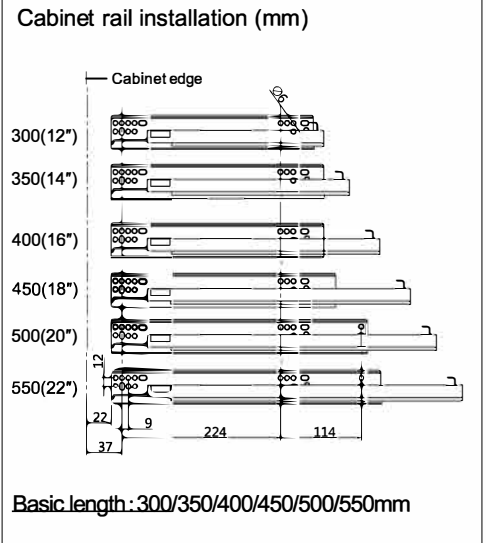


Assembly instruction - H90mm Inner drawer

* Cutting dimension of Alu front panel*

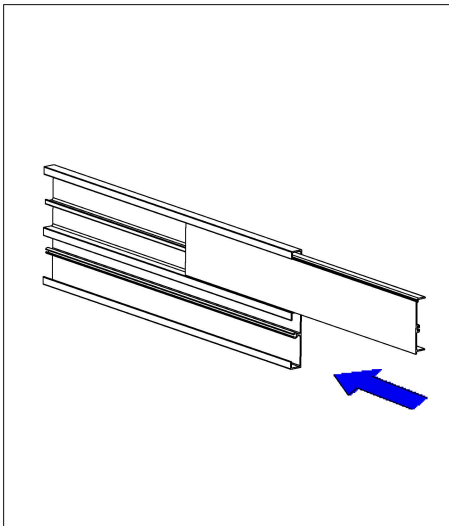


* Installation of slide*

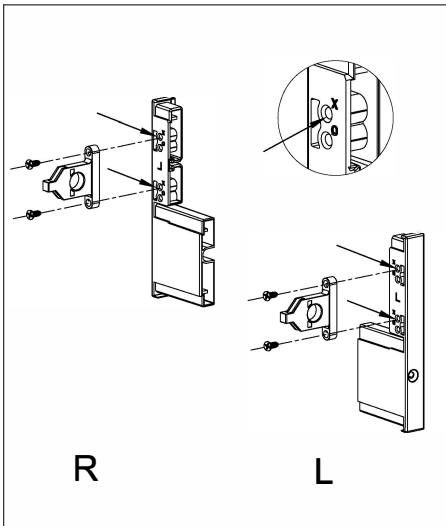


Installation step diagram

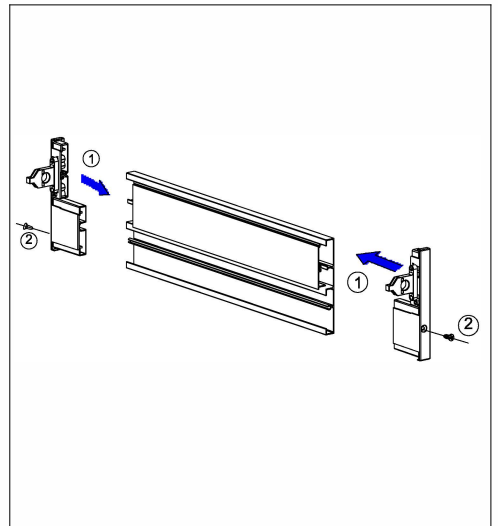
1) Install aluminum cover



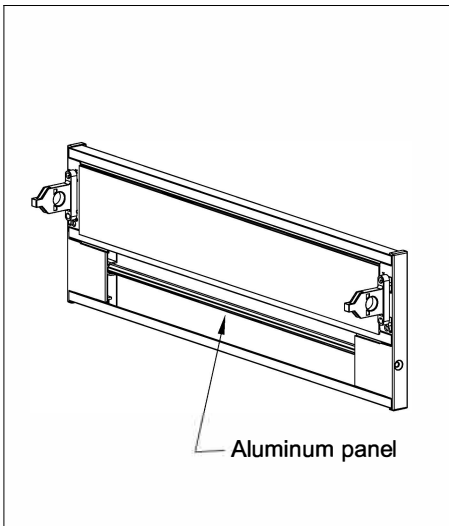
2) Choose the screw hole "X" to fix the metal front brackets



3) Connect the inner front connector to the aluminum front panel



4) Assembled inner front panel



5) Install the assembled front panel with the drawer sides

