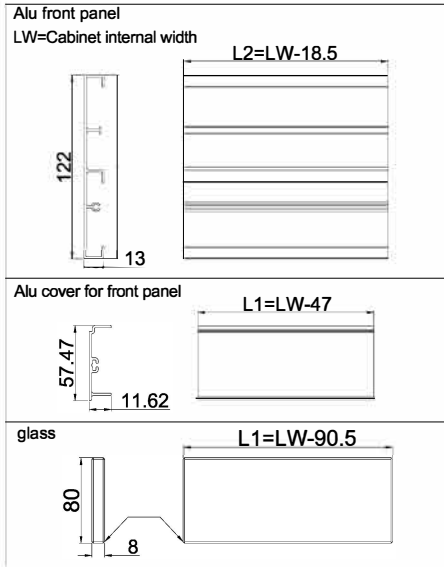
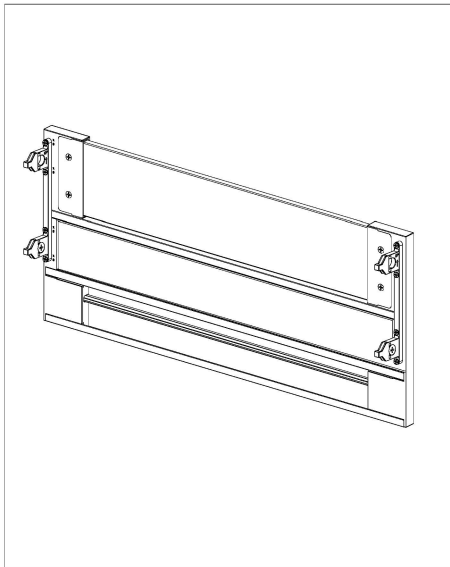
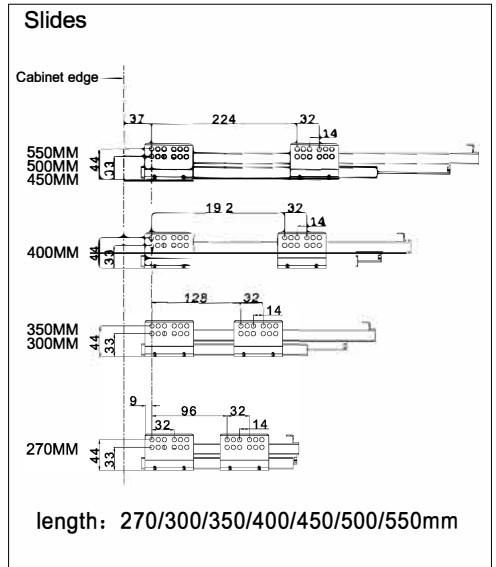


Assembly instruction - H175mm Inner drawer with glass front

* Cutting dimension of Alu front panel*

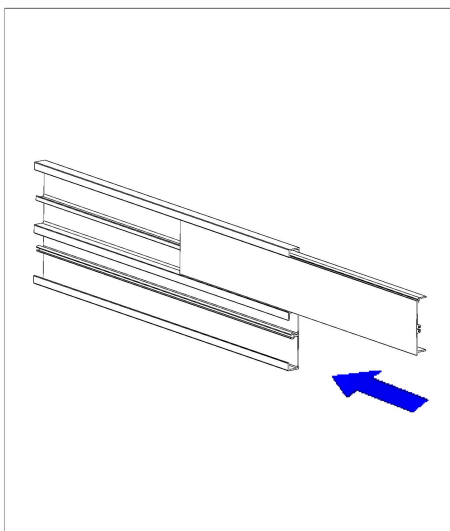


* Installation of slide*

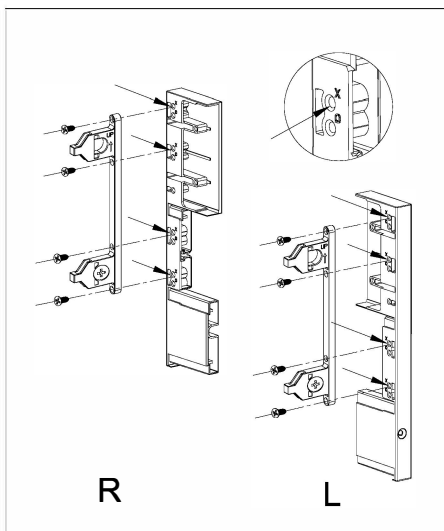


* Installation steps*

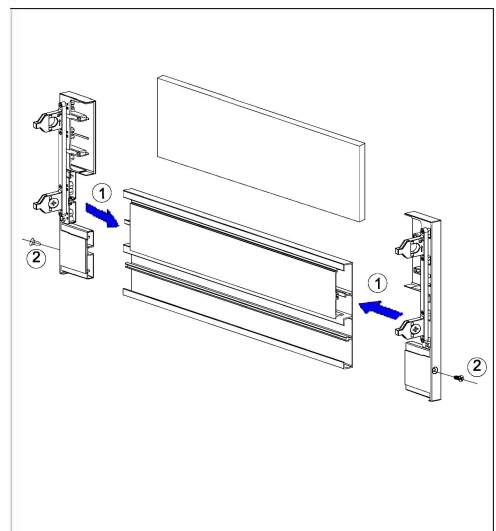
1. Install the Aluminum cover first



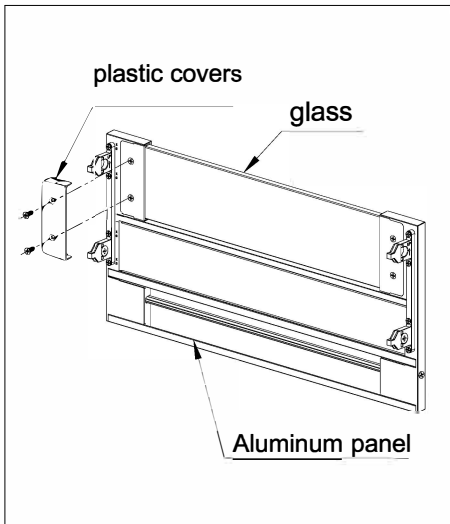
2. Choose the screw hole "X" to fix the metal front bracket



3. Connect the inner drawer front connector, front panel and glass front



4. Fix the plastic covers to the front brackets



5. Install the drawer front with the drawer sides

