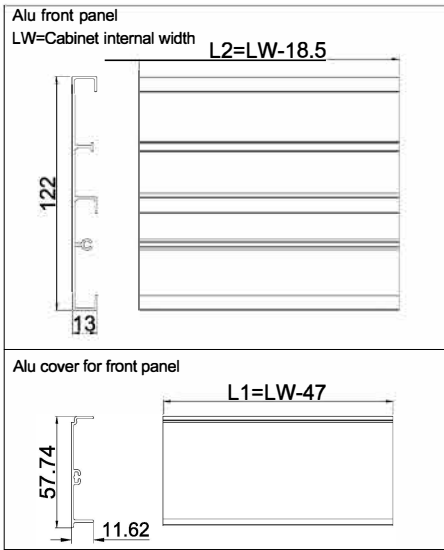
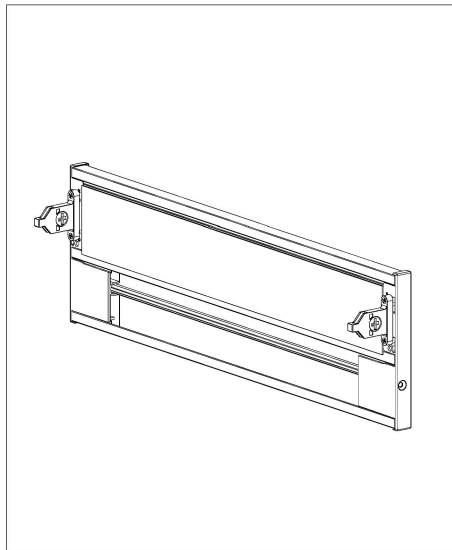
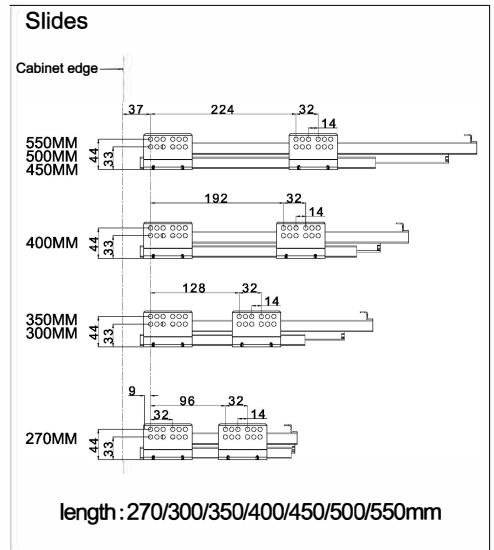


Assembly instruction - H90mm Inner drawer

* Cutting dimension of Alu front panel*

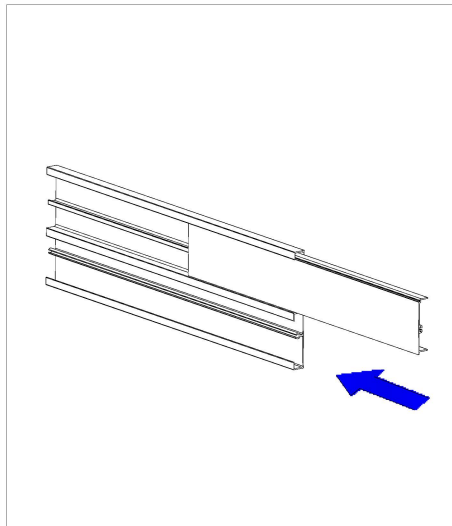


* Installation of slide*

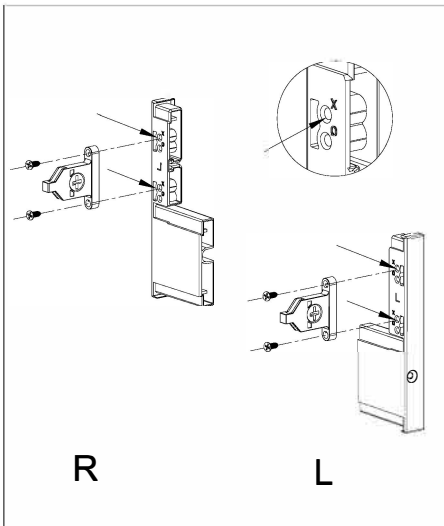


* Installation steps*

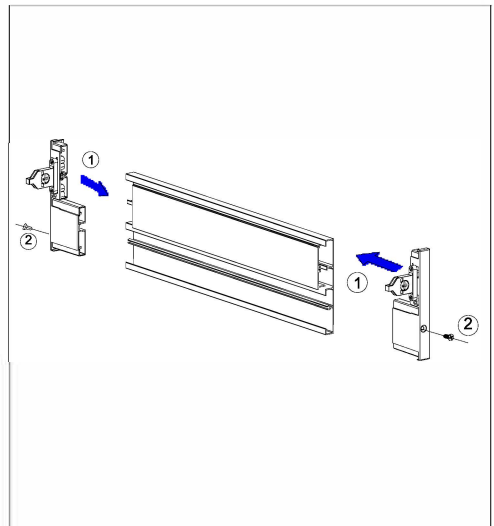
1. Install the Aluminum cover first



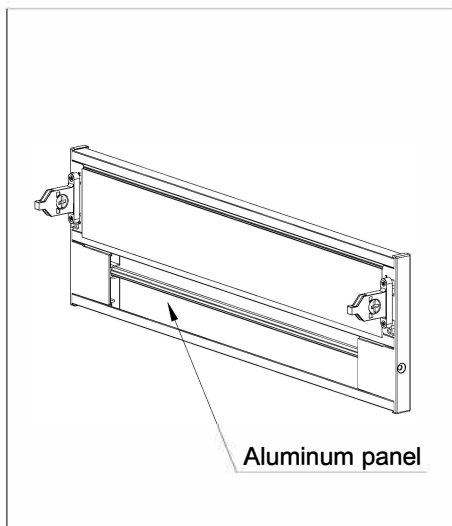
2. Choose the screw hole "X" to fix the metal front bracket



3. Connect the inner drawer front connectors and front panel



4. Assembled inner drawer front



5. Install the drawer front with the drawer sides

