

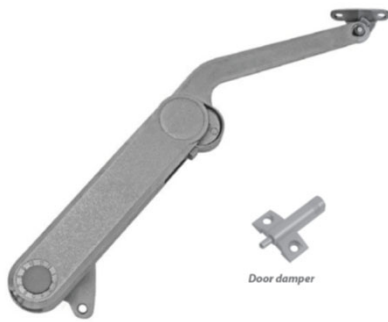
### I ch { Oliv



#### Characteristics

- ❑ It provides high level of design and usage freedom
- ❑ Symmetrical lift mechanism, can be used on one or both sides
- ❑ Easy assembly
- ❑ Safety stop and stay in every opening position
- ❑ Adjustable force for door weight up to 20kg
- ❑ Using with soft close concealed European hinges can further upgrade the application and performance

#### Order information

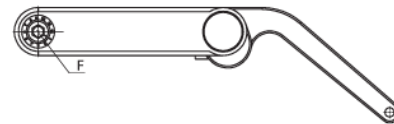
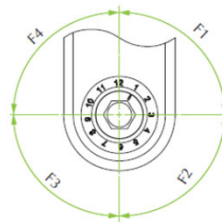
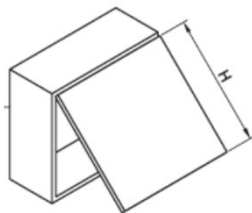


Model	Descriptions	Packing
FL001.10	Kit Flexlift for Wooden door	15 kits
FL001.20	Kit Flexlift for Aluminium frame door	15 kits

#### A kit pack consists of:

- a piece of Flexlift
- a bracket for door, either wooden or aluminium frame door
- a bracket for cabinet
- a door damper
- a cover cap
- 4 self tapping screws
- 2 System screws
- 1 SW10 key
- Assembly instructions

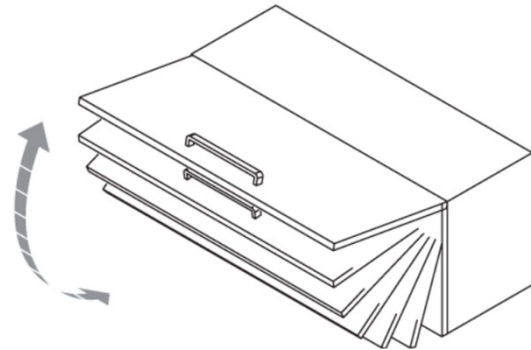
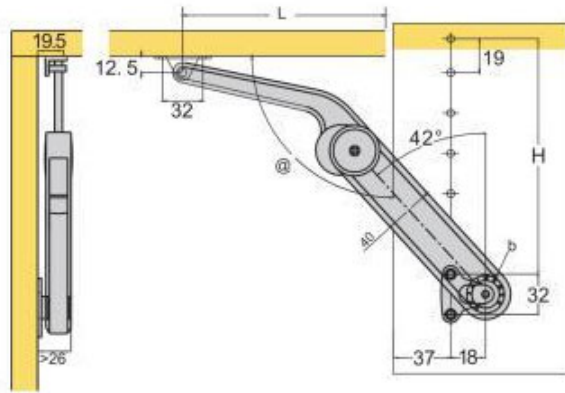
#### Force adjustments



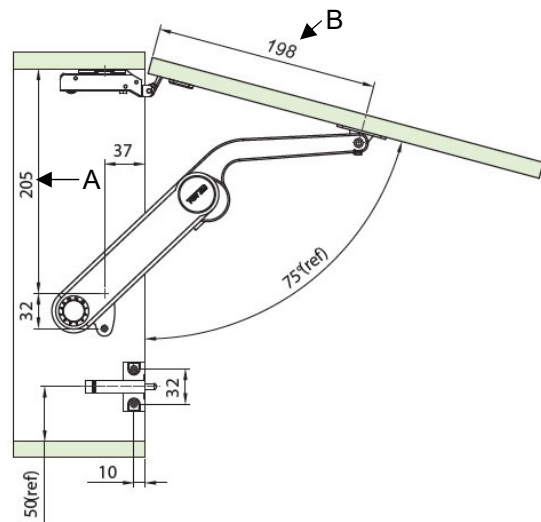
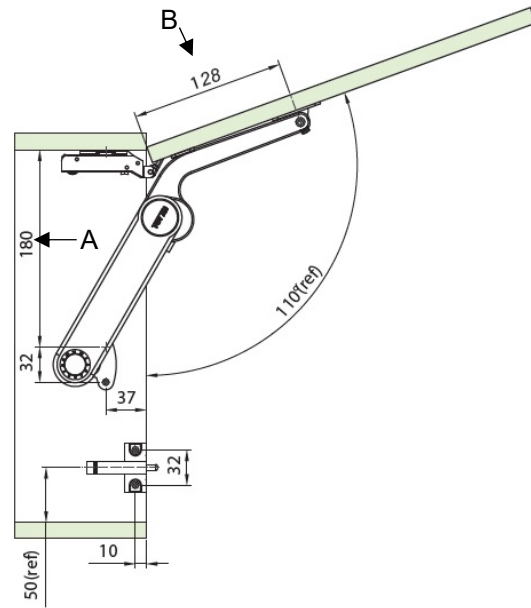
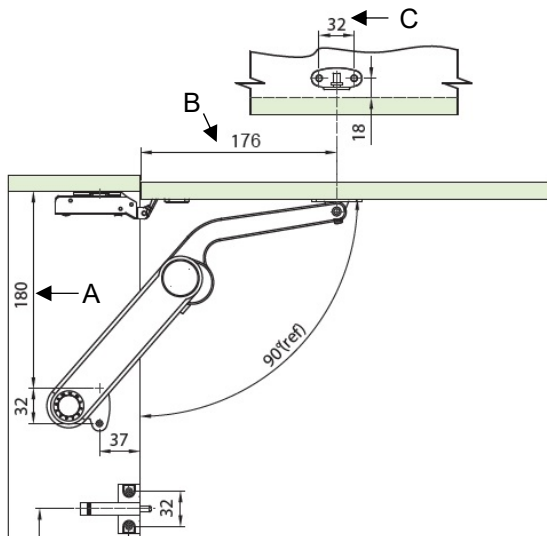
mm	Door weight (kg) – Force adjustment			
Door height (H)	F1	F2	F3	F4
	1-2-3	4-5-6	7-8-9	10-11-12
300	3~5 *	5~10	9~15.5	11~20
400	2~4 *	3.5~7.5	6.5~11.5	8.5~15
500	1.5~3 *	3~6	5.5~9.5	7~12
600	1.3~2.5	2.5~5	4.5~7.5	6~10

\*Recommend to use one Flexlift

### Installation dimensions



#### ○ Wooden door



#### ○ Aluminium frame door

(mm)	Dimensions		
Open angle	A	B	C
75°	205	190	17
90°	180	163	17
110°	180	116	17