

Silent Drawer System

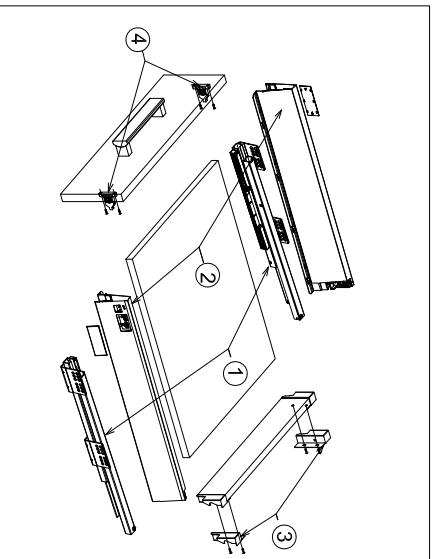


Modul Box Assembly Instruction

Special Features:

- Length: 270, 300, 350, 400, 450, 500, 550mm.
- The drawer side-board is 89mm high.
- Drawer width can be designed freely with automatic error adjustment.
- Hidden full pulbit silencing sliding skirt can bear 30kg and enjoy's excellent stability and quite and smooth sliding performance.
- Quick installation and dismantle.
- New! 4-designed built-in damper is free from reinstallation and ensures soft and smooth drawer movements.

Basic length	Internally usable drawer length	Minimum installation depth of drawer	Minimum installation height
270mm	244mm	270mm	110mm
300mm	274mm	300mm	110mm
350mm	324mm	350mm	110mm
400mm	374mm	400mm	110mm
450mm	424mm	450mm	110mm
500mm	474mm	500mm	110mm
550mm	524mm	550mm	110mm



1. Guide	Left/Right	Length:
		270mm
		300mm
		350mm
		400mm
		450mm
		500mm
		550mm

2. Drawer Side & Decorative Cap	Left/Right	Length:
		270mm
		300mm
		350mm
		400mm
		450mm
		500mm
		550mm

3. Back connector	Left / Right

4. Front connector	Left / Right

Technology photo:
Bottom and Back Panel Measurement
16MM Density Panel

1 LW: Inside Cabinet Width
Bottom panel length=Inside Cabinet Width-75±0.5
Back panel height=84MM

2 Back panel width=Inside Cabinet Width-87±0.5

Runner Installation(mm)

550MM
500MM
450MM
400MM
350MM
300MM
270MM

Basic length: 270/300/350/400/450/500/550

