

# INSTALLATIONAL MANUAL NASCONDI

## Retractable / Pocket / Hidden sliding system

One door kit set



Loading weight  
20 Kg (per kit)

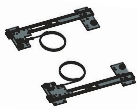


Door thickness  
15 to 25 mm

## COMPONENTES FOR A DOOR (not all included in KIT)

### NASCONDI - Slides

337 mm  
405 mm  
437 mm  
501 mm  
533 mm  
600 mm  
650 mm



95° Half overlay hinge  
Door thickness 15 - 18mm  
Cup size Ø 35 mm



95° Inset overlay hinge  
Door thickness 18 - 25 mm  
Cup size Ø 40mm



Screws  
CC PH M4x8mm



Chipboard Screws  
CC PH 4.0x14mm



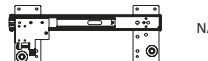
Chipboard screws  
CC PH 3.5x22mm



95° Half overlay hinge  
Door thickness 15 - 18mm  
Cup size Ø 40 mm



Door stopper



NASCONDI 337 mm



NASCONDI 405 mm



NASCONDI 437 mm



NASCONDI 501 mm



NASCONDI 533 mm

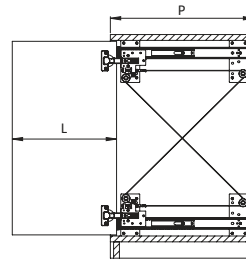


NASCONDI 600 mm



NASCONDI 650 mm

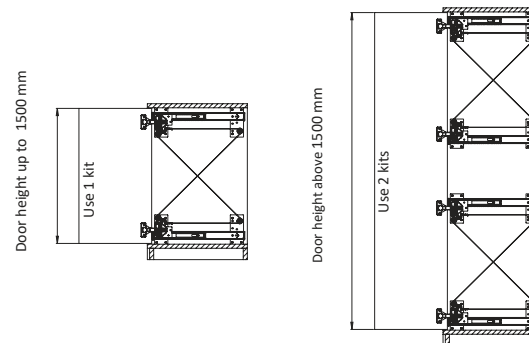
## 1 Minimum cabinet depth



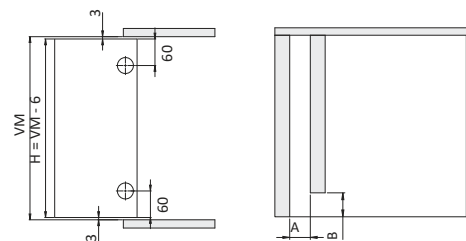
P = Minimum cabinet depth  
L = Door width

NASCONDI	P	L
337 mm	min. 370 mm	min. 227 mm
405 mm	min. 440 mm	min. 295 mm
437 mm	min. 470 mm	min. 327 mm
501 mm	min. 540 mm	min. 391 mm
533 mm	min. 570 mm	min. 423 mm
600 mm	min. 640 mm	min. 490 mm
650 mm	min. 690 mm	min. 540 mm

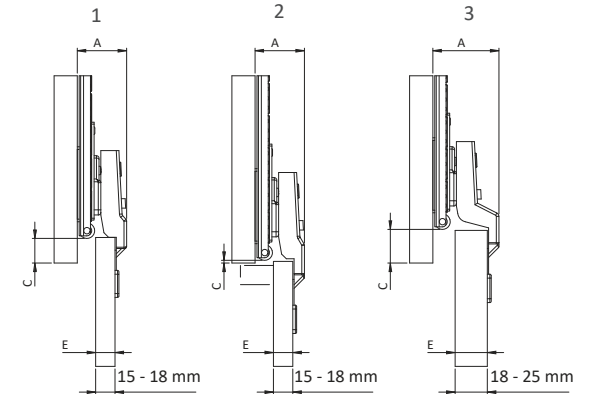
## 2 Indication of usage for different door sizes



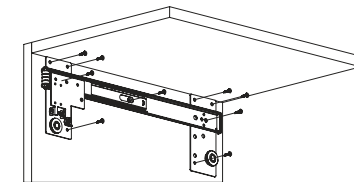
## 3 Installation dimensions



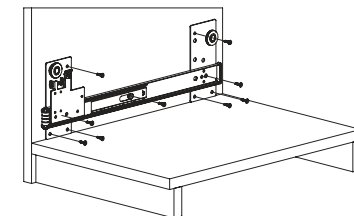
(Dimensions in mm)		A	B	C	E
1	Half overlay hinge Ø 35 mm	47	E + 5	E + 1	15 - 18
2	Half overlay hinge Ø 40mm	50	5	1	15 - 18
3	Inset hinge Ø 40mm	64	E + 5	E + 1	18 - 25



## 4 Mounting the slides



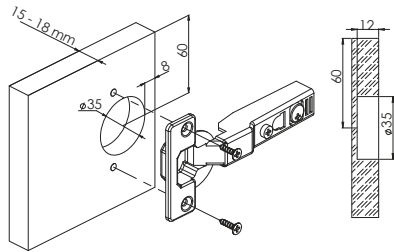
Place the slide till to the top of the panel of the cabinet and fasten the screws.



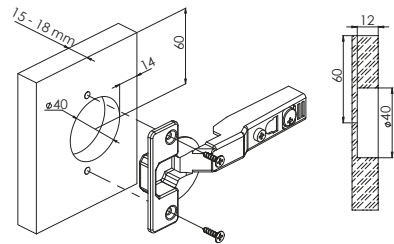
Place the slide till to the bottom of the panel of the cabinet and fasten the screws.

5 Installation of the hinges

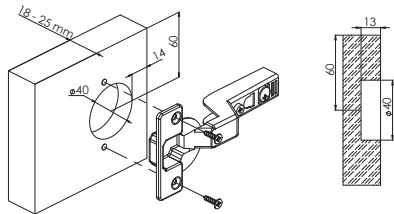
Half overlay hinge Ø 35 mm



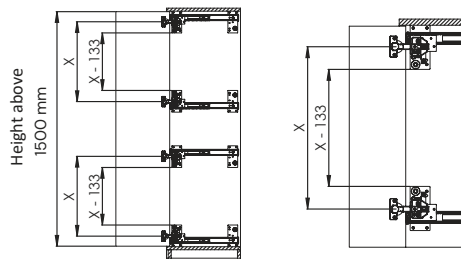
Half overlay hinge Ø 40 mm



Inset hinge Ø 40 mm

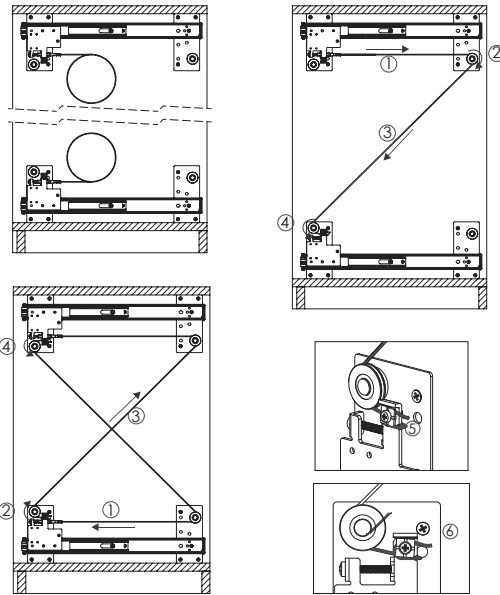


6 Drilling hole positions of the slides for the door with height above 1500mm

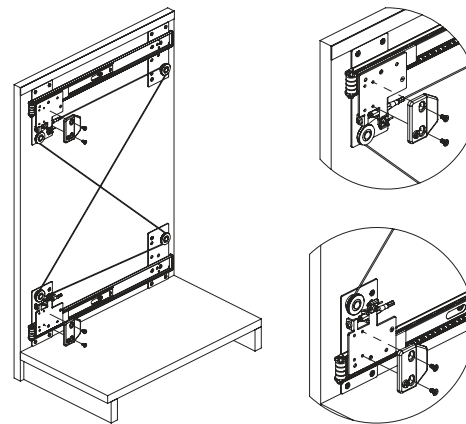


X = Distance between the mounting holes

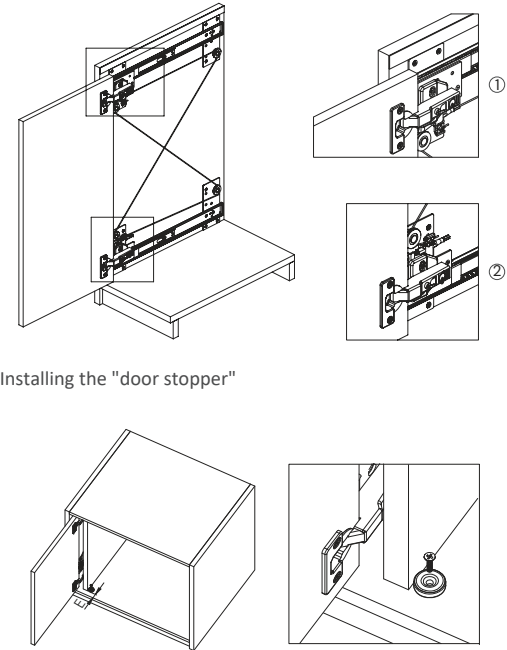
7 Mounting the steel cable



8 Mounting the hinge plates onto the slides

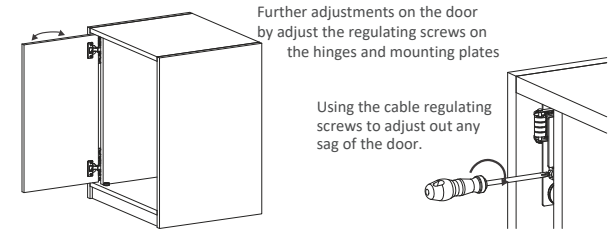


9 Installing the "door stopper"



The purpose of the door stopper is to ensure the door aligning with the cabinet when it is closed.

10 Door adjustments



Further adjustments on the door by adjust the regulating screws on the hinges and mounting plates

Using the cable regulating screws to adjust out any sag of the door.

\*\* Do not over tighten cable too much. Cable should only have light tension applied.

[www.visionfittings.com](http://www.visionfittings.com)

Hong Kong office  
Suite 1705, Workingberg Commercial Building,  
41-47 Marble Road,  
North Point, Hong Kong